

REV.00

General Assembly

Included Models

ENF G319 C BMAD R2 UL LED EXP V17.1 FS

1020373

Item	Internal Code	Spare Part Code	Description
1	3029548	2077027	PILASTER
2	2050299	2087714	RIGHT TUBE COVER
3	2050300	2078063	LEFT TUBE COVER
4	2038149	2076344	MOLD DEFLECTOR SUPPORT
5	2000027	2077077	DEFLECTOR MOLDING
6	3035053	2076488	WIRE COVER
7	3001457	2065052	SWITCH
8	3044252	2076349	PANEL SUPPORT
9	3052756	2065364	TEMPERATURE CONTROL
10	3017428	2065076	CONTROL KNOB
11	3043769	2076494	CONTROL SUPPORT
12	3052103	2076368	DRIVER 24W
13	3022239	2065163	POWER CORD
14	3001610	2017163	BACK GRILL
15	3057956	2087716	SHELF
16	3041575	2065346	CLIP F/PILASTER
17	3017492	2016589	THERMOMETER
18	3022238	2065360	LEVELING LEG
19	3001490	2076878	WALL SPACER
20	2060893	2068358	FRONT GRILL
21	3041425	2076124	FRONT GRILL SUPPORT
22	3023211	2065162	HINGE COVER
*	3054678	2076107	MAIN HARNESS
*	3055836	2076109	COMPRESSOR HARNESS
*	3055925	2076108	DOOR HARNESS

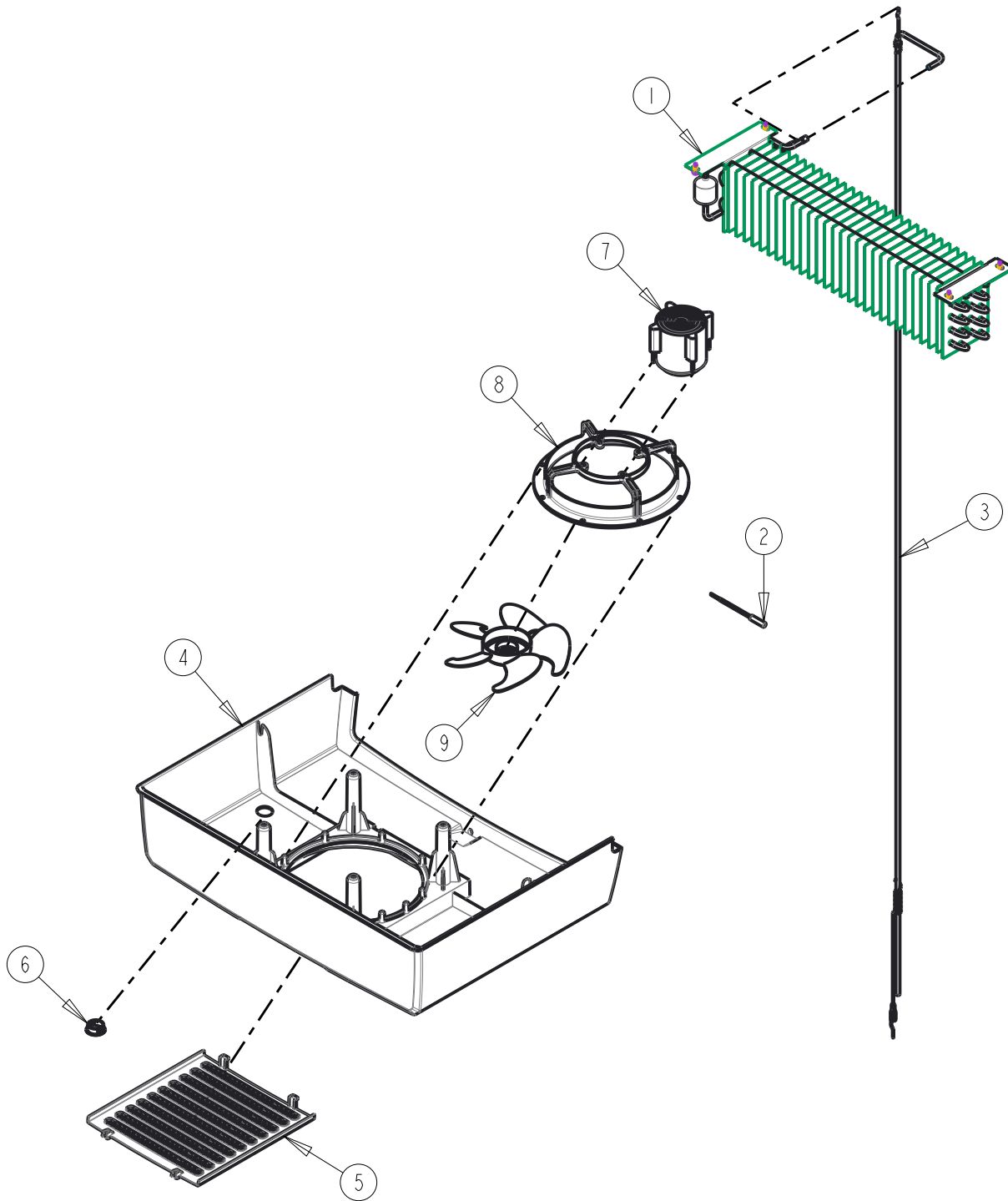
REV.00

General Assembly

Included Models

ENF G319 C BMAD R2 UL LED EXP V17.1 FS

1020373



REV.00

Evaporator Unit

Included Models

ENF G319 C BMAD R2 UL LED EXP V17.1 FS

1020373

Item	Internal Code	Spare Part Code	Description
1	3054283	2068674	EVAPORATOR RIGHT
2	3031133	2065184	TEMPERATURE SENSOR
3	2065242	2072768	RETURN PIPE
4	2063294	2077082	EVAP HOUSING
5	2044821	2068676	EVAP HOUSING COVER
6	3015563	2077081	STOPPER
7	3023792	2065067	EVAP FAN MOTOR
8	3023907	2021792	MOTOR EVAP SUPPORT
9	3023793	2017317	EVAP FAN BLADE

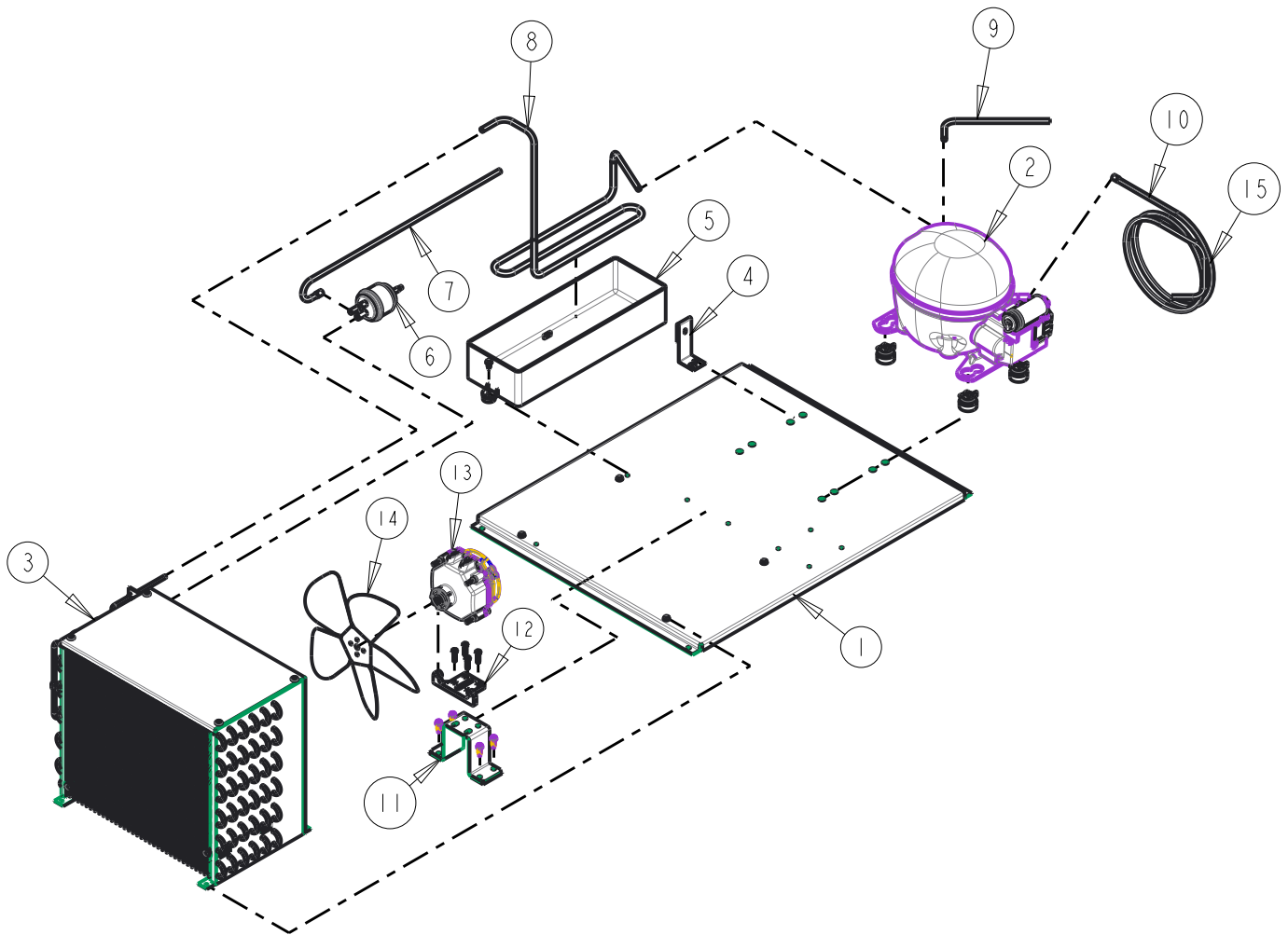
REV.00

Evaporator Unit

Included Models

ENF G319 C BMAD R2 UL LED EXP V17.1 FS

1020373



REV.00

Condenser Unit

Included Models

ENF G319 C BMAD R2 UL LED EXP V17.1 FS

1020373

Item	Internal Code	Spare Part Code	Description
1	2066384	2076542	COMPRESSOR BASE
2	3055368	2072402	COMPRESSOR
3	2048109	2061514	CONDENSER
4	2003751	2045838	COND PAN SUPPORT
5	3000814	2065072	CONDENSATE PAN
6	3043930	2065116	FILTER DRIER
7	2055561	2075989	VACCUM PIPE
8	2067306	2076379	DISCHARGE PIPE
9	2021335	2065060	CHARGE PIPE
10	2088417	2090450	SUCTION LINE
11	2032218	2075535	MOTOR STAND
12	3039514	2065362	MOTOR COND SUPPORT
13	3030464	2065107	COND FAN MOTOR
14	3024836	2061515	COND FAN BLADE
15	3000807	2077326	PIPE INSULATION

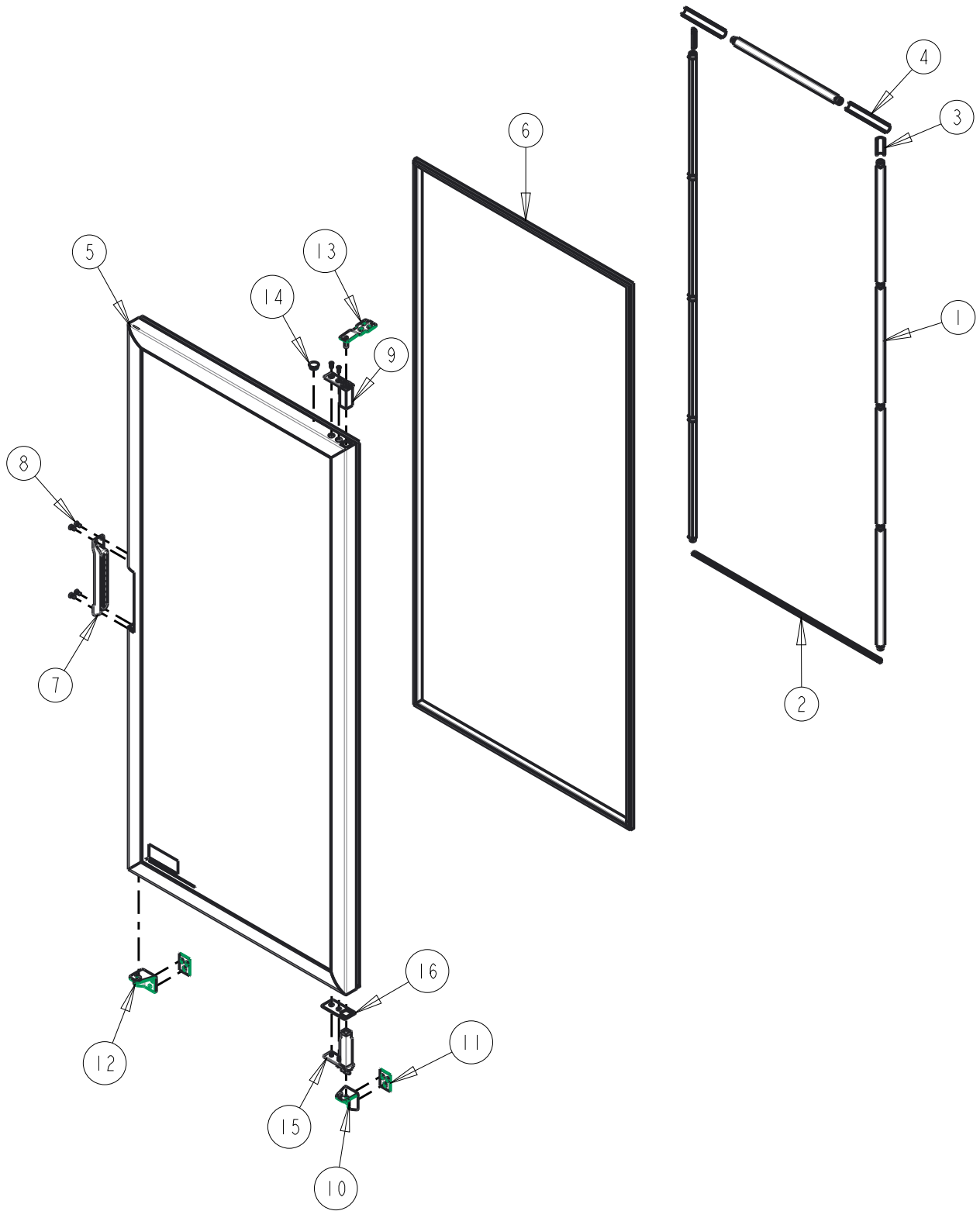
REV.00

Condenser Unit

Included Models

ENF G319 C BMAD R2 UL LED EXP V17.1 FS

1020373



REV.00

Door

Included Models

ENF G319 C BMAD R2 UL LED EXP V17.1 FS

1020373

Item	Internal Code	Spare Part Code	Description
1	3051065	2065047	LED MODULE
2	2055306	2084831	MOULDING GLASS FIXER COVER
3	2042808	2082144	MOULDING GLASS FIXER COVER
4	2075391	2084837	MOULDING GLASS FIXER COVER
5	2053296	2091244	GLASS DOOR
6	3040942	2076374	GASKET
7	2018749	2076375	PLASTIC DOOR HANDLE
8	3027788	2081335	REMOVABLE RIVET
9	3044866	2076112	DOOR BUSHING
10	3052961	2076369	BOTTOM HINGE
11	3043342	2076346	REINFORCEMENT
12	3052962	2076110	BOTTOM HINGE
13	3023206	2065356	TOP HINGE
14	3023352	2077329	STOPPER
15	3043569	2055558	SELF CLOSING
16	3028538	2077415	REINFORCEMENT
*	3051220	2075742	F-M MODULE HARNESS
*	3046324	2076105	F-M MODULE REVERSIBLE HARNESS

REV.00

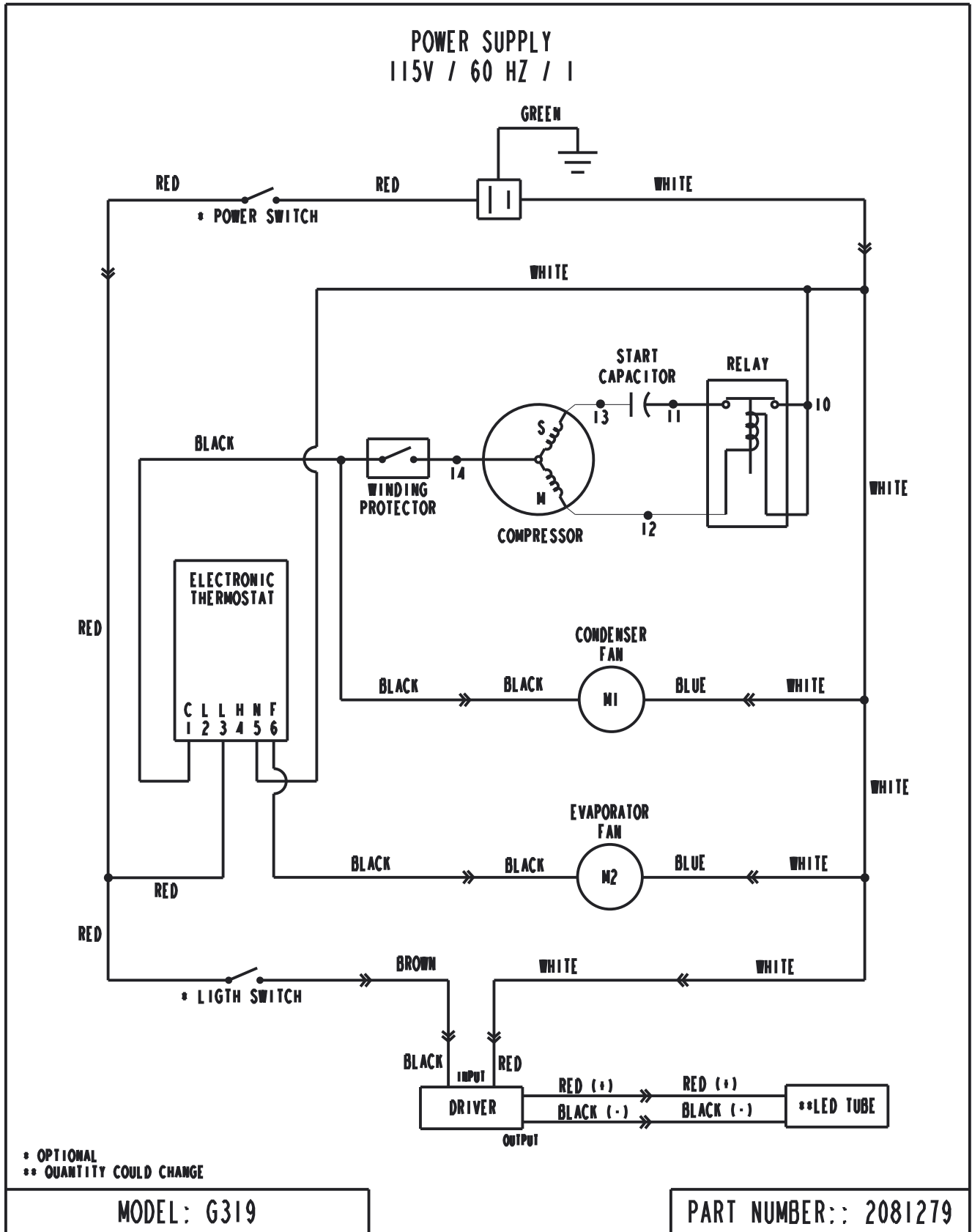
Door

Included Models

ENF G319 C BMAD R2 UL LED EXP V17.1 FS

1020373





REV.00

Wiring Diagram

Included Models

ENF G319 C BMAD R2 UL LED EXP V17.1 FS

1020373