

REV.00

General Assembly

Included Models

ENF G372 C BMAD R2 UL LED EXP FOODSERV

1022694

Item	Internal Code	Spare Part Code	Description
1	3017373	2080114	PILASTER
2	3044137	2055505	ANTI-VACUUM VALVE
3	3056241	2078071	GASKET ANTI-VACUUM VALVE
4	2069429	2081095	TUBE COVER
5	2069428	2081098	TUBE COVER
6	2069430	2081094	TUBE COVER
7	2073150	2081092	LEFT TUBE COVER
8	2073151	2081091	RIGHT TUBE COVER
9	2073152	2081089	CENTRAL TUBE COVER
10	2000028	2080131	DEFLECTOR MOLDING
11	2038149	2076344	MOLD DEFLECTOR SUPPORT
12	2083152	2086916	FRONTAL POLE
13	3001457	2065052	SWITCH
14	3063474	2088766	TEMPERATURE CONTROL
15	3017428	2065076	CONTROL KNOB
16	3043769	2076494	CONTROL SUPPORT
17	3052103	2076368	DRIVER 24W
18	3022239	2065163	POWER CORD
19	3001617	2017171	BACK GRILL
20	3001610	2017163	BACK GRILL
21	3023756	2081102	SHELF
22	3000671	2016555	CLIP F/PILASTER
23	3017492	2016589	THERMOMETER
24	3022238	2065360	LEVELING LEG
25	3001490	2076878	WALL SPACER
26	2083159	2086923	FRONT GRILL
27	2083161	2086924	FRONT GRILL
*	3062791	2086917	MAIN HARNESS
*	3062792	2086919	LIGHTING HARNESS
*	3017444	2081148	MOTOR HARNESS
*	3017532	2063499	MOTOR GROUND HARNESS
*	3057881	2081151	COMPLEMENT HARNESS
*	3042236	2077318	COMPRESSOR HARNESS

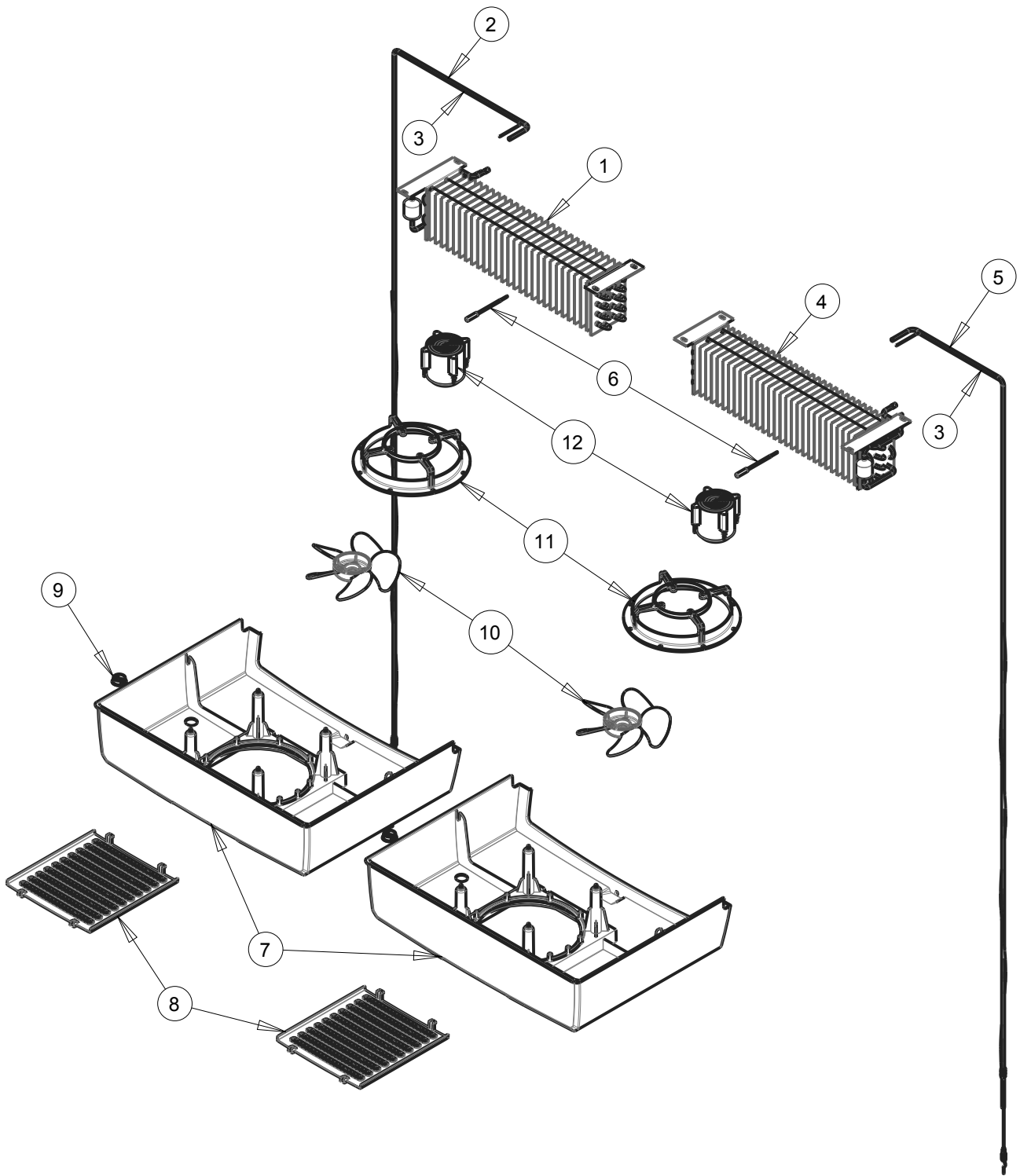
REV.00

General Assembly

Included Models

ENF G372 C BMAD R2 UL LED EXP FOODSERV

1022694



REV.00

Evaporator Unit

Included Models

ENF G372 C BMAD R2 UL LED EXP FOODSERV

1022694



Item	Internal Code	Spare Part Code	Description
1	3054283	2068674	EVAPORATOR RIGHT
2	2073944	2081105	RETURN PIPE
3	3001748	2076378	CAPILLARY TUBE, 0.049"X120"
4	3054284	2081099	EVAPORATOR LEFT
5	2073943	2081104	RETURN PIPE
6	3031133	2065184	TEMPERATURE SENSOR
7	2063294	2077082	EVAP HOUSING
8	2044821	2068676	EVAP HOUSING COVER
9	3015563	2077081	STOPPER
10	3037464	2065102	EVAP FAN BLADE
11	3023907	2021792	MOTOR EVAP SUPPORT
12	3023792	2065067	EVAP FAN MOTOR

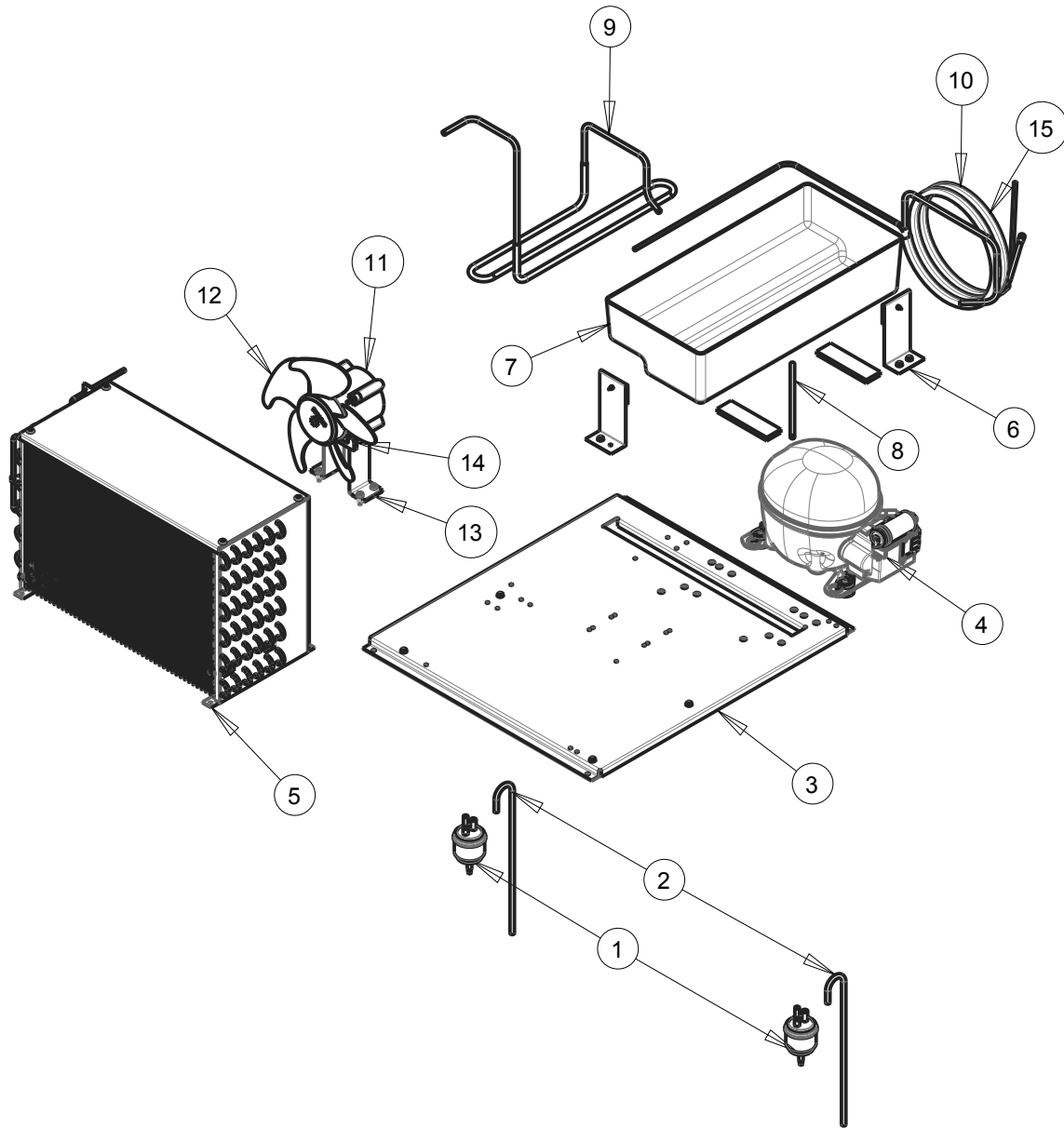
REV.00

Evaporator Unit

Included Models

ENF G372 C BMAD R2 UL LED EXP FOODSERV

1022694



REV.00

Condenser Unit

Included Models

ENF G372 C BMAD R2 UL LED EXP FOODSERV

1022694



Item	Internal Code	Spare Part Code	Description
1	3043930	2065116	FILTER DRIER
2	2030264	2076400	VACCUM PIPE
3	2057998	2098578	COMPRESSOR BASE
4	3056027	2068683	COMPRESSOR
5	2047059	2056133	CONDENSER
6	2066813	2073254	COND PAN SUPPORT
7	2010600	2024707	CONDENSATE PAN
8	2014639	2063514	CHARGE PIPE
9	2081510	2086922	DISCHARGE PIPE
10	2066142	2073247	HEAT EXCHANGER
11	3023792	2065067	COND FAN MOTOR
12	3023793	2017317	COND FAN BLADE
13	3033267	2077074	MOTOR STAND
14	3039514	2065362	MOTOR EVAP SUPPORT
15	3000807	2077326	PIPE INSULATION

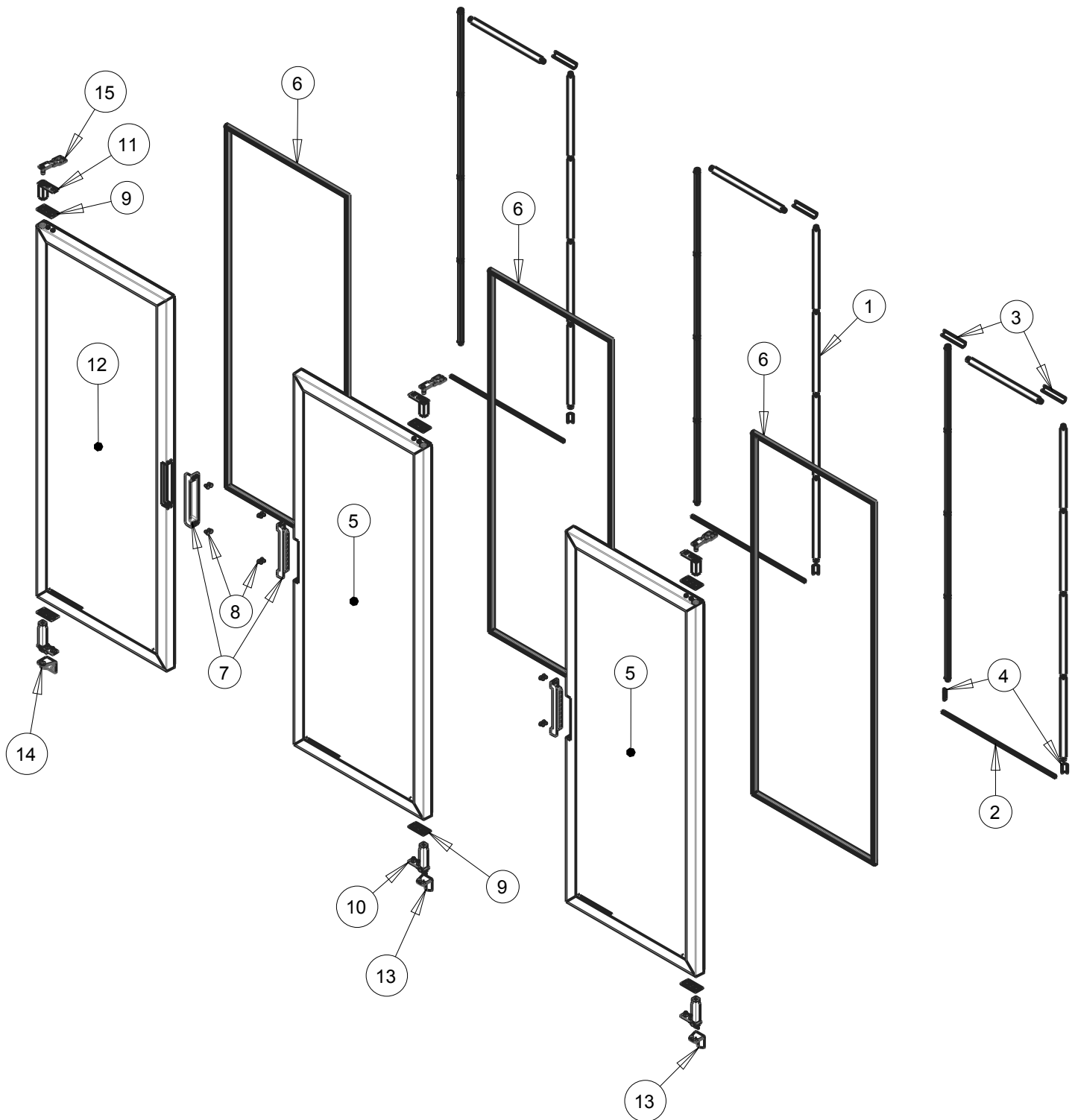
REV.00

Condenser Unit

Included Models

ENF G372 C BMAD R2 UL LED EXP FOODSERV

1022694



REV.00

Door

Included Models

ENF G372 C BMAD R2 UL LED EXP FOODSERV

1022694

Item	Internal Code	Spare Part Code	Description
1	3051065	2065047	LED MODULE
2	2010209	2086708	MOULDING GLASS FIXER COVER
3	2031726	2077038	MOULDING GLASS FIXER COVER
4	2019325	2087020	MOULDING GLASS FIXER COVER
5	2083153	2086925	GLASS DOOR RIGHT
6	3038234	2040008	GASKET
7	3055404	2088923	PLASTIC DOOR HANDLE
8	3027788	2081335	REMOVABLE RIVET
9	3046334	2077724	BUSHING SUPPORT
10	3038236	2022628	SELF CLOSING
11	3044866	2072409	BUSHING
12	2083154	2086926	GLASS DOOR LEFT
13	3055138	2076384	BOTTOM HINGE
14	3055137	2076389	BOTTOM HINGE
15	3023206	2065356	TOP HINGE
*	3051069	2065318	LED HARNESS
*	3051220	2075742	F-M MODULE HARNESS
*	3027228	2040477	F-DRIVER MODULE HARNESS

REV.00

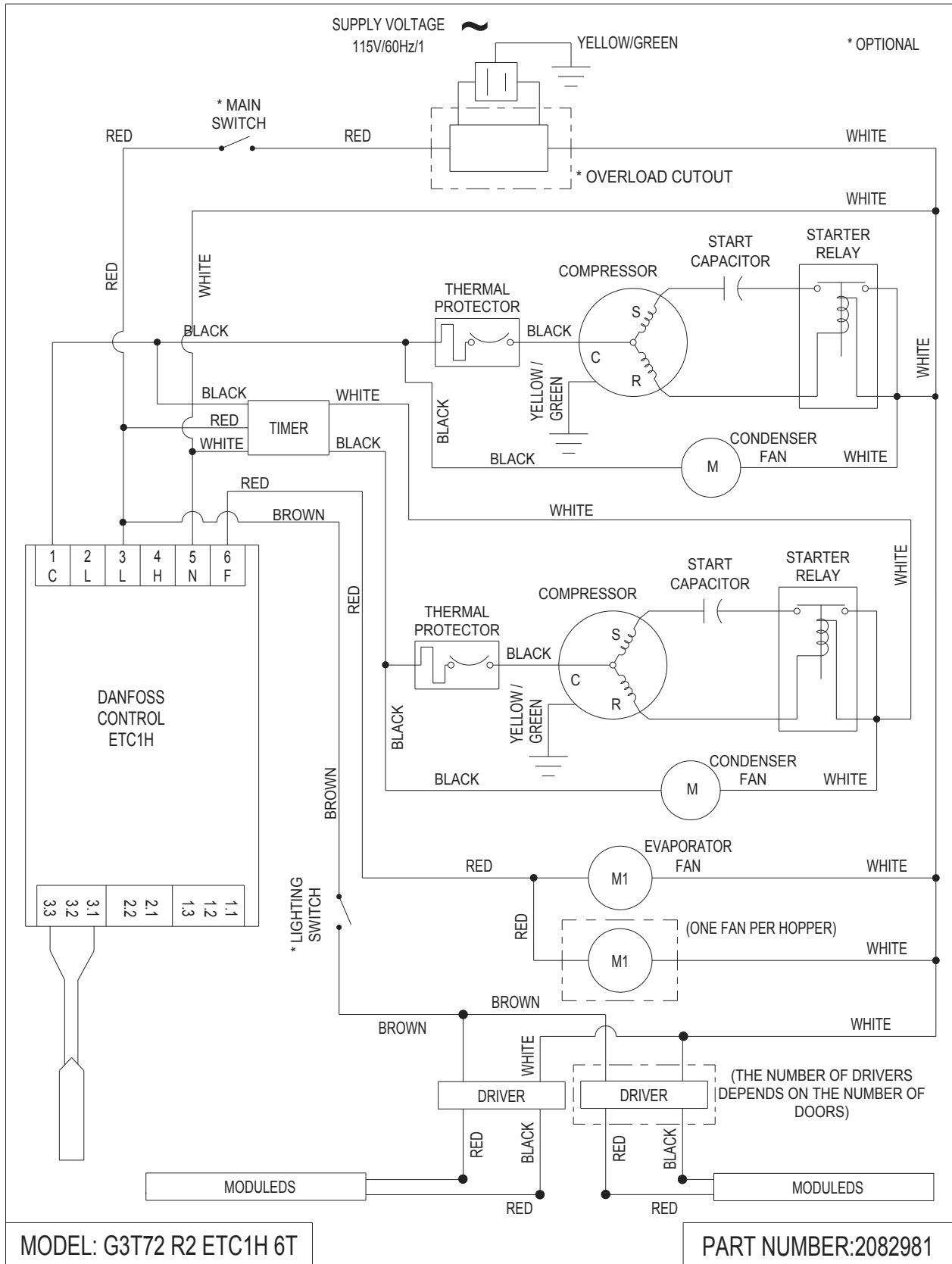
Door

Included Models

ENF G372 C BMAD R2 UL LED EXP FOODSERV

1022694





REV.00

Wiring Diagram

Included Models

ENF G372 C BMAD R2 UL LED EXP FOODSERV

1022694