

REV.00

General Assembly

Included Models

ENF VRD43 C BMAD R2 UL LED EXP V17.1 FS

1020358

Item	Internal Code	Spare Part Code	Description
1	3044137	2055505	ANTI-VACUUM VALVE
2	3056241	2078071	GASKET ANTI-VACUUM VALVE
3	3017373	2080114	PILASTER
4	2050301	2078065	TUBE COVER
5	2054402	2085859	TUBE COVER MOLDING
6	2000028	2080131	DEFLECTOR MOLDING
7	2038149	2076344	MOLD DEFLECTOR SUPPORT
8	2062902	2076945	FRONTAL POLE
9	3035053	2076488	WIRE COVER
10	3001457	2065052	SWITCH
11	3041965	2086705	DOOR SUPPORT
12	3043769	2076494	CONTROL SUPPORT
13	3052756	2065364	TEMPERATURE CONTROL
14	3017428	2065076	CONTROL KNOB
15	3052103	2076368	DRIVER 24W
16	3022239	2065163	POWER CORD
17	3052677	2080132	CLAMP
18	3001609	2024709	BACK GRILL
19	3058031	2086710	LARGE SHELF
20	3041575	2065346	CLIP F/PILASTER
21	3017492	2016589	THERMOMETER
22	3001490	2076878	WALL SPACER
23	2050304	2056131	FRONT GRILL
24	3022238	2065360	LEVELING LEG
*	3054674	2077308	MAIN HARNESS
*	3054675	2068371	COMPRESSOR HARNESS
*	3052000	2063529	LED HARNESS

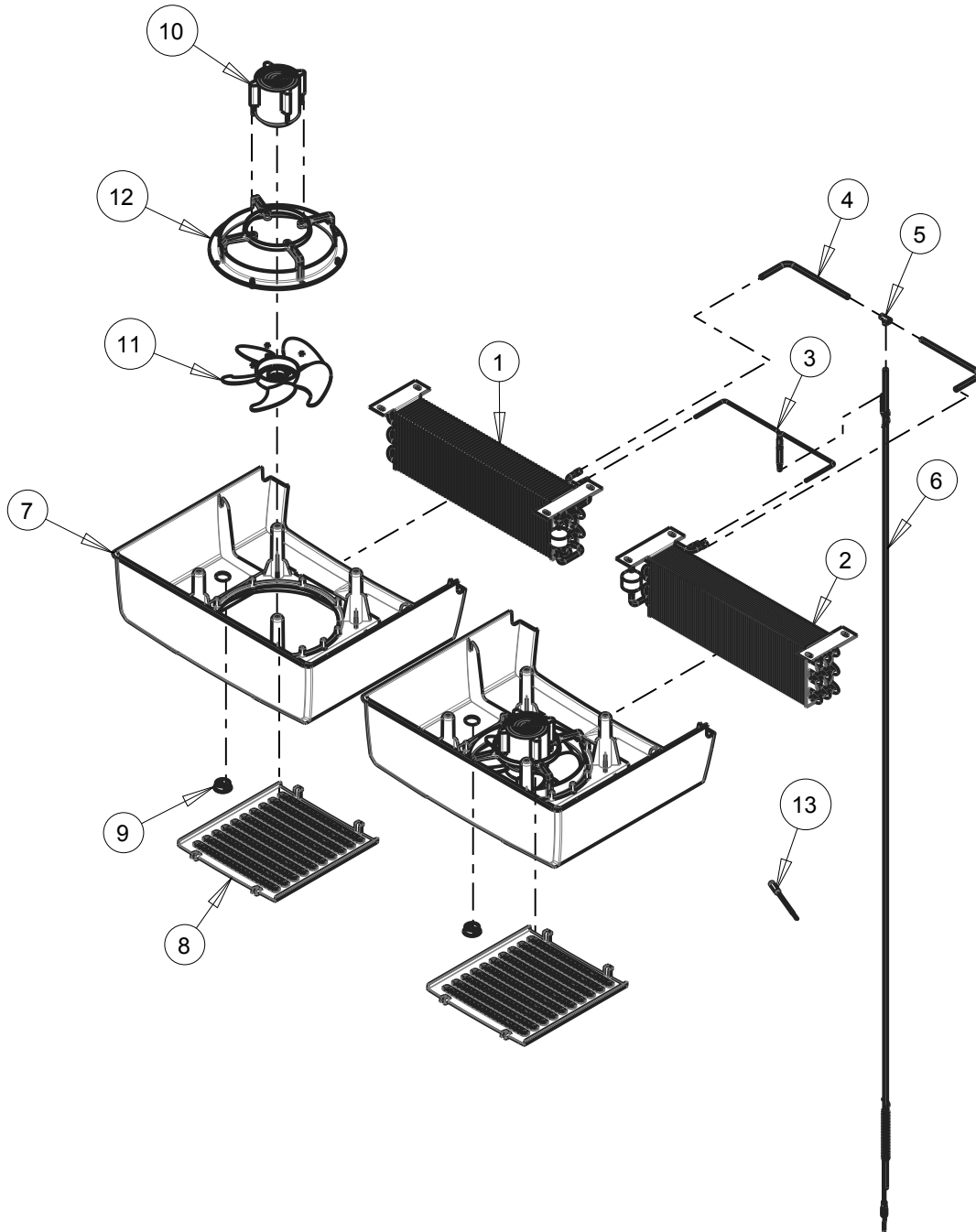
REV.00

General Assembly

Included Models

ENF VRD43 C BMAD R2 UL LED EXP V17.1 FS

1020358



REV.00

Evaporator Unit

Included Models

ENF VRD43 C BMAD R2 UL LED EXP V17.1 FS

1020358

Item	Internal Code	Spare Part Code	Description
1	3054281	2068680	EVAPORATOR RIGHT
2	3054282	2068681	EVAPORATOR LEFT
3	3055923	2076399	"Y" REFRIGERANT PIPE
4	2065648	2076539	EVAP OUTLET PIPE
5	3002055	2084838	COOPER TEE FITTING
6	2065243	2077314	RETURN PIPE
7	2064215	2068682	EVAP HOUSING
8	2044821	2068676	EVAP HOUSING COVER
9	3015563	2077081	STOPPER
10	3023792	2065067	EVAP FAN MOTOR
11	3023793	2017317	EVAP FAN BLADE
12	3023907	2021792	MOTOR EVAP SUPPORT
13	3031133	2065184	TEMPERATURE SENSOR

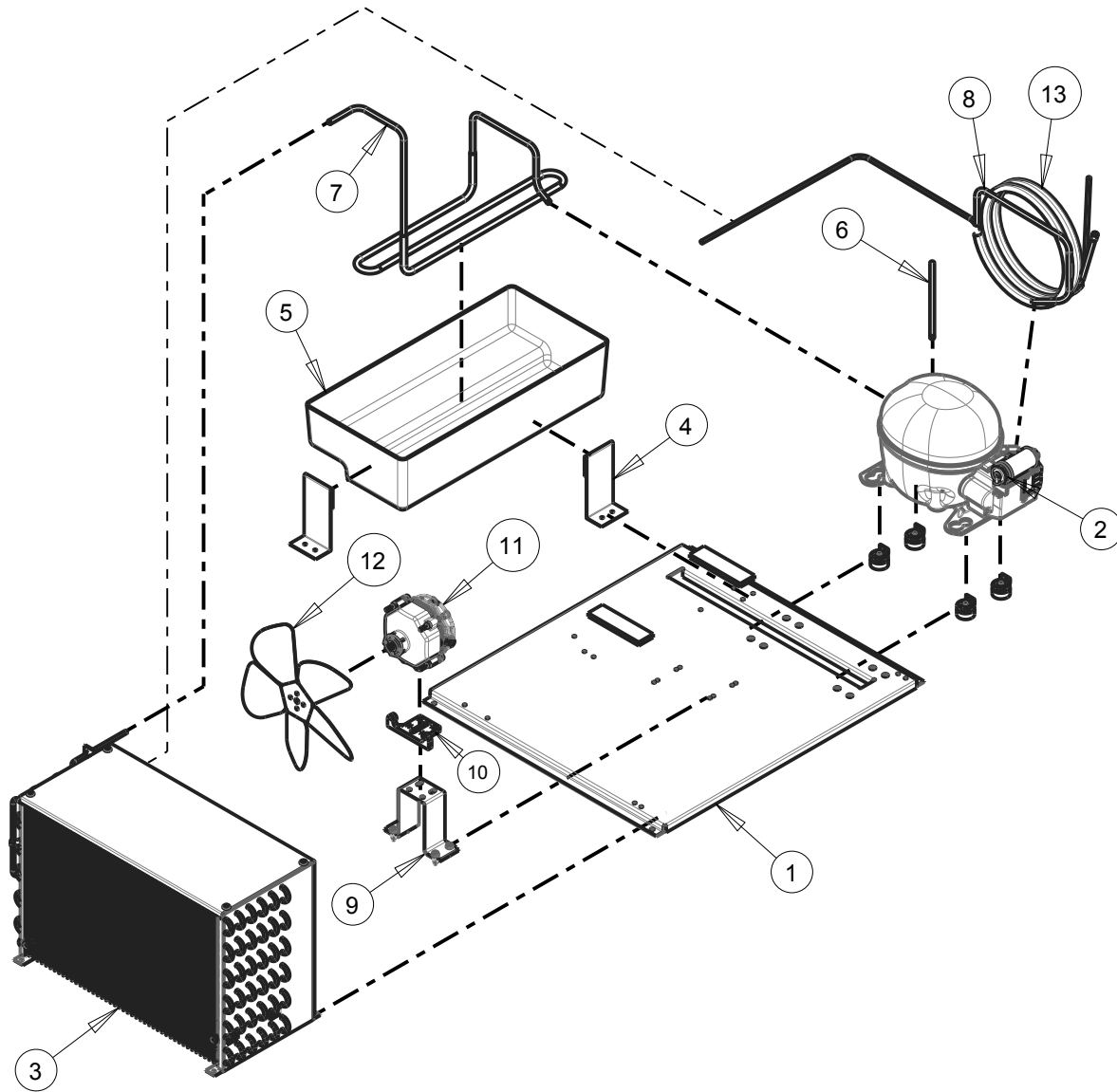
REV.00

Evaporator Unit

Included Models

ENF VRD43 C BMAD R2 UL LED EXP V17.1 FS

1020358



REV.00

Condenser Unit

Included Models

ENF VRD43 C BMAD R2 UL LED EXP V17.1 FS

1020358

Item	Internal Code	Spare Part Code	Description
1	2066383	2078046	COMPRESSOR BASE
2	3056027	2068683	COMPRESSOR
3	2047059	2056133	CONDENSER
4	2066813	2073254	COND PAN SUPPORT
5	2010600	2024707	CONDENSATE PAN
6	2014639	2063514	CHARGE PIPE
7	2066143	2073249	DISCHARGE PIPE
8	2066142	2073247	HEAT EXCHANGER
9	3033267	2077074	MOTOR STAND
10	3027277	2016551	MOTOR EVAP SUPPORT
11	3030464	2065107	COND FAN MOTOR
12	3024836	2061515	COND FAN BLADE
13	3000807	2077326	PIPE INSULATION
14	3043930	2065116	FILTER DRIER
15	2030264	2076400	VACCUM PIPE
16	3037478	2083587	PIPE SUPPORT

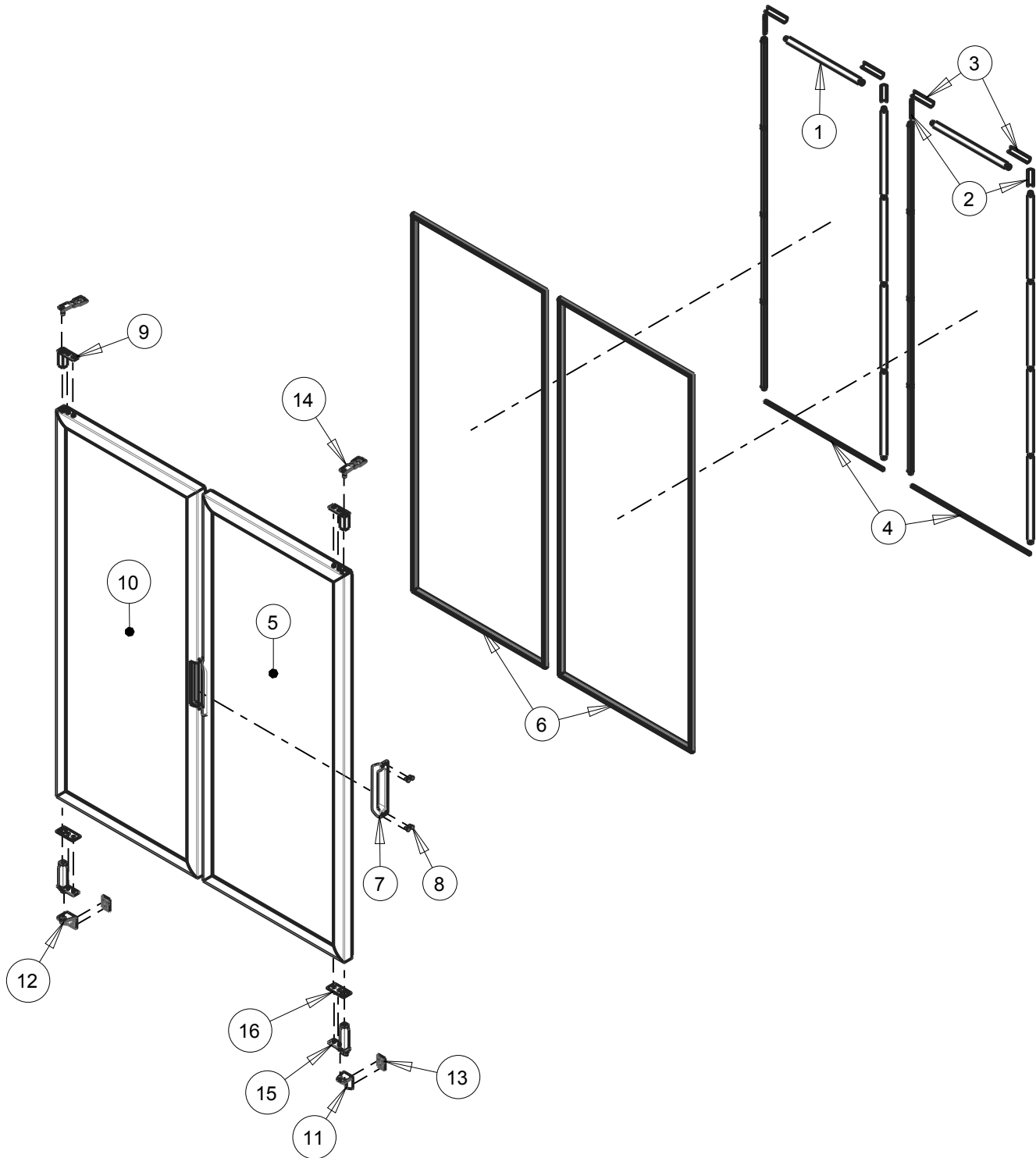
REV.00

Condenser Unit

Included Models

ENF VRD43 C BMAD R2 UL LED EXP V17.1 FS

1020358



REV.00

Door

Included Models

ENF VRD43 C BMAD R2 UL LED EXP V17.1 FS

1020358

Item	Internal Code	Spare Part Code	Description
1	3051065	2065047	LED MODULE
2	2064802	2086706	MOULDING GLASS FIXER COVER
3	2011016	2086707	MOULDING GLASS FIXER COVER
4	2010209	2086708	MOULDING GLASS FIXER COVER
5	2053294	2070651	GLASS DOOR RIG
6	3030208	2046559	GASKET
7	2018749	2076375	PLASTIC DOOR HANDLE
8	3027788	2081335	REMOVABLE RIVET
9	3044866	2076112	DOOR BUSHING
10	2053295	2070653	GLASS DOOR LEF
11	3052961	2076369	BOTTOM HINGE RIGHT
12	3052962	2076110	BOTTOM HINGE LEFT
13	3043342	2076346	REINFORCEMENT
14	3023206	2065356	TOP HINGE
15	3043569	2055558	SELF CLOSING
16	3028538	2077415	REINFORCEMENT
*	3051220	2075742	F-M MODULE HARNESS
*	3045554	2076101	F-DRIVER MODULE HARNESS

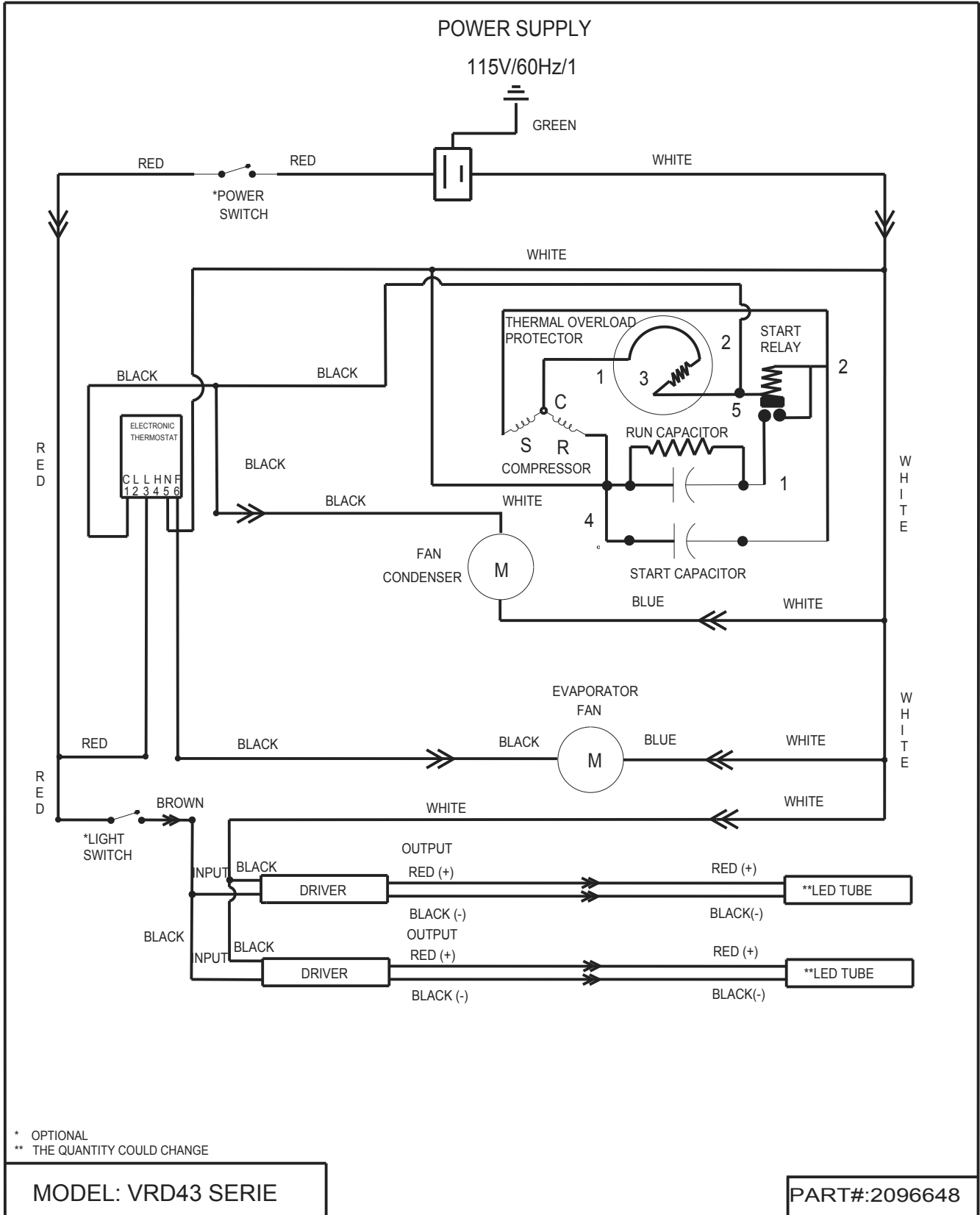
REV.00

Door

Included Models

ENF VRD43 C BMAD R2 UL LED EXP V17.1 FS

1020358



REV.00

Wiring Diagram

Included Models

ENF VRD43 C BMAD R2 UL LED EXP V17.1 FS

1020358