

REV.00

General Assembly

Included Models

ENF VFS12 C BMAD R2 UL EC LED EXP RES FS

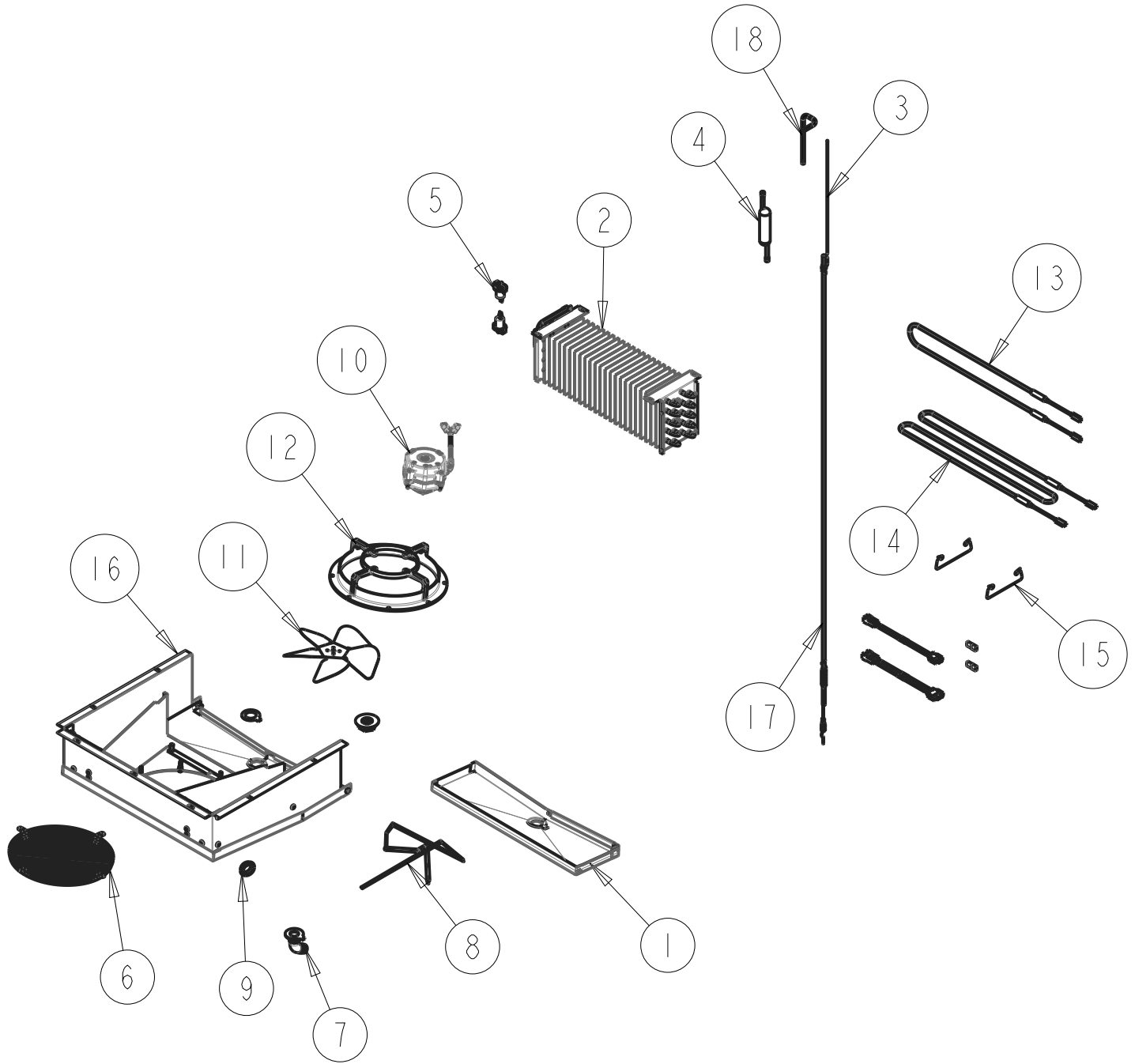
1021817

| Item | Internal Code | Spare Part Code | Description           |
|------|---------------|-----------------|-----------------------|
| 1    | 2023932       | 2091214         | GROMMET               |
| 2    | 3044137       | 2055505         | ANTI-VACUUM VALVE     |
| 3    | 3022238       | 2065360         | LEVELING LEG          |
| 4    | 3024399       | 2063491         | PILASTER              |
| 5    | 3001457       | 2076347         | SWITCH                |
| 6    | 3030429       | 2076341         | SWITCH                |
| 7    | 3024322       | 2077330         | INTERLOCK, MAG SWITCH |
| 8    | 3021718       | 2077327         | CLIP P/SWITCH         |
| 9    | 3035053       | 2076488         | WIRE COVER            |
| 10   | 3044404       | 2065129         | LED DRIVER            |
| 11   | 2077409       | 2094661         | WIRE COVER            |
| 12   | 2077441       | 2094662         | TUBE COVER            |
| 13   | 3054900       | 2094663         | AIR DEVIATOR          |
| 14   | 3064587       | 2094668         | KIT SENSOR TEMP       |
| 15   | 2077411       | 2094669         | FRONT GRILL           |
| 16   | 2085942       | 2089496         | TEMPERATURE CONTROL   |
| 17   | 3036890       | 2076370         | CONTROL BOX           |
| 18   | 3001490       | 2076878         | WALL SPACER           |
| 19   | 3044178       | 2085665         | TUBE COVER            |
| 20   | 3060203       | 2089533         | RELAY                 |
| 21   | 3025496       | 2077048         | REMOTE DISPLAY        |
| 22   | 3024275       | 2077061         | DPLAY BASE            |
| 23   | 3018077       | 2077060         | COVER, PANEL REA      |
| 24   | 3052103       | 2076368         | DRIVER 24W            |
| 25   | 3060596       | 2094671         | DRAWER SHELF          |
| 26   | 3060594       | 2094672         | SHELF                 |
| 27   | 3060593       | 2094673         | BOTTOM SHELF          |
| 28   | 3060592       | 2094678         | PRODUCT SEPARATOR     |
| 29   | 3060631       | 2094679         | TUBE COVER SUPPORT    |
| 30   | 3022239       | 2065163         | POWER CORD            |

**REV.00**
**General Assembly**
**Included Models**
**ENF VFS12 C BMAD R2 UL EC LED EXP RES FS**
**1021817**

| Item | Internal Code | Spare Part Code | Description             |
|------|---------------|-----------------|-------------------------|
| 31   | 3001608       | 2065309         | BACK GRILL              |
| 32   | 3041575       | 2065346         | CLIP F/PILASTER         |
| 33   | 3017492       | 2065185         | THERMOMETER             |
| 34   | 3041303       | 2068673         | REINFORCEMENT           |
| 35   | 2052174       | 2083304         | HIPS PLATE, SUPPORT     |
| 36   | 3035296       | 2072772         | KIT LOCK HINGE DOORS    |
| 37   | 2088873       | 2094670         | HIGH IMP MOULDING       |
| *    | 3059544       | 2094652         | EVAPOTAROR HARNESS      |
| *    | 3059540       | 2094653         | MAIN HARNESS            |
| *    | 3061518       | 2094655         | COMPRESSOR HARNESS      |
| *    | 3043953       | 2078381         | EVAPOTAROR HARNESS      |
| *    | 3030420       | 2078384         | SWITCH HARNESS          |
| *    | 3017532       | 2063499         | MOTOR GROUND HARNESS    |
| *    | 3063226       | 2089544         | HEATER HARNESS          |
| *    | 3027228       | 2075540         | F-DRIVER MODULE HARNESS |

**REV.00**
**General Assembly**
**Included Models**
**ENF VFS12 C BMAD R2 UL EC LED EXP RES FS**
**1021817**



REV.00

Evaporator Unit

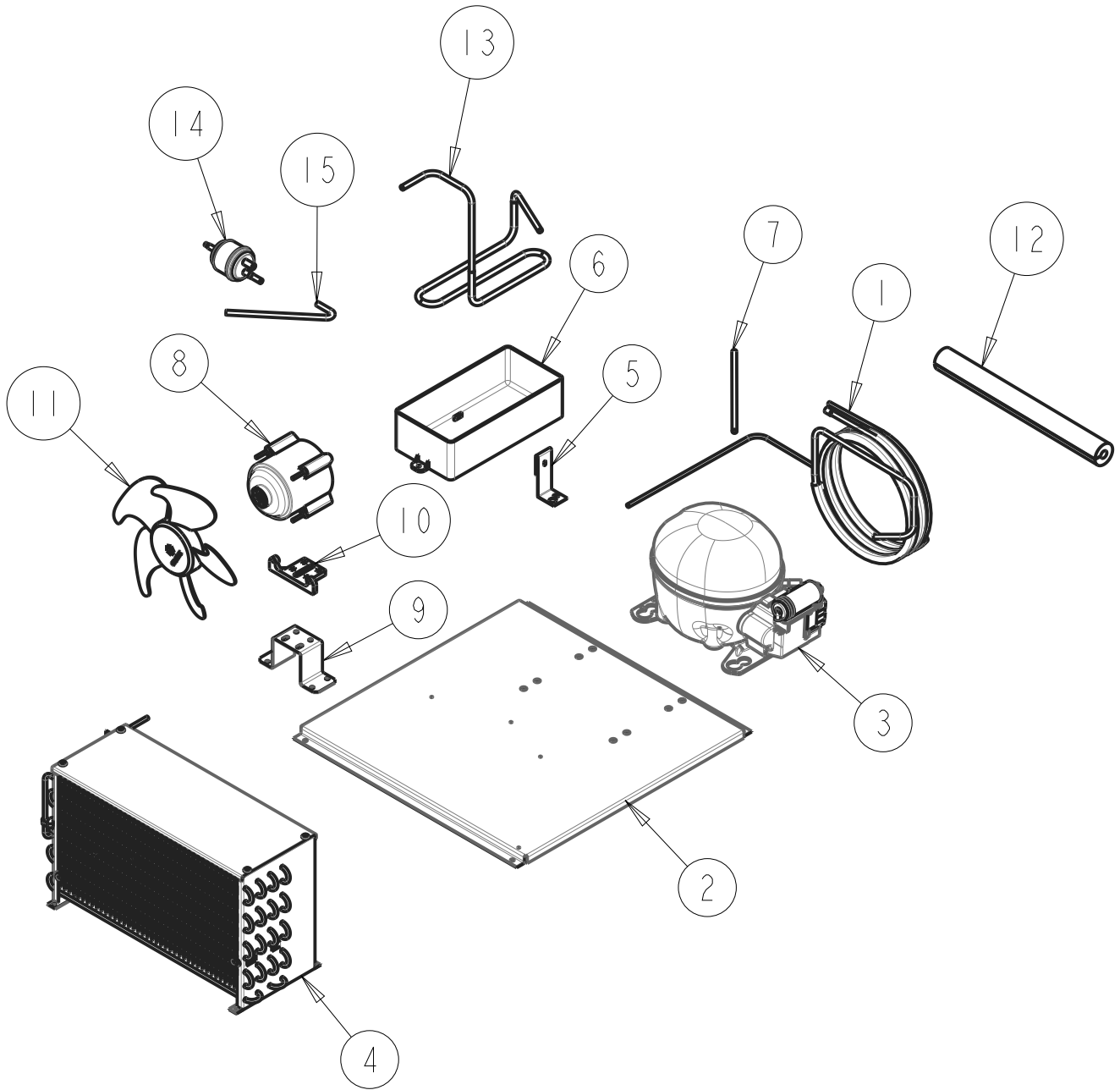
Included Models

ENF VFS12 C BMAD R2 UL EC LED EXP RES FS

1021817

| Item | Internal Code | Spare Part Code | Description                |
|------|---------------|-----------------|----------------------------|
| 1    | 3059557       | 2094660         | EVAP DRAIN PAN             |
| 2    | 3059554       | 2094666         | EVAPORATOR                 |
| 3    | 3036746       | 2087781         | CAPILLARY TUBE 0.031"X150" |
| 4    | 3051851       | 2065308         | ACUMMULATOR                |
| 5    | 3048713       | 2078824         | BIMETAL DISC               |
| 6    | 3037560       | 2065113         | EVAP HOUSING GRILL         |
| 7    | 3046548       | 2079961         | COUPLE                     |
| 8    | 3062410       | 2089542         | HEATER                     |
| 9    | 3001043       | 2078624         | GROMMET                    |
| 10   | 3051912       | 2075878         | EVAP FAN MOTOR             |
| 11   | 3024837       | 2021790         | EVAP FAN BLADE             |
| 12   | 3023907       | 2016756         | MOTOR EVAP SUPPORT         |
| 13   | 3060119       | 2094675         | HEATER                     |
| 14   | 3059556       | 2094676         | HEATER                     |
| 15   | 3063920       | 2094677         | LOCK, EVAP-HEATER          |
| 16   | 3059559       | 2094680         | EVAP HOUSING               |
| 17   | 2088246       | 2094684         | RETURN PIPE                |
| 18   | 2086468       | 2094683         | RETURN PIPE                |
| *    | 3062034       | 2094650         | EVAPOTAROR HARNESS         |
| *    | 3057565       | 2094651         | EVAPOTAROR HARNESS         |

**REV.00**
**Evaporator Unit**
**Included Models**
**ENF VFS12 C BMAD R2 UL EC LED EXP RES FS**
**1021817**



REV.00

Condenser Unit

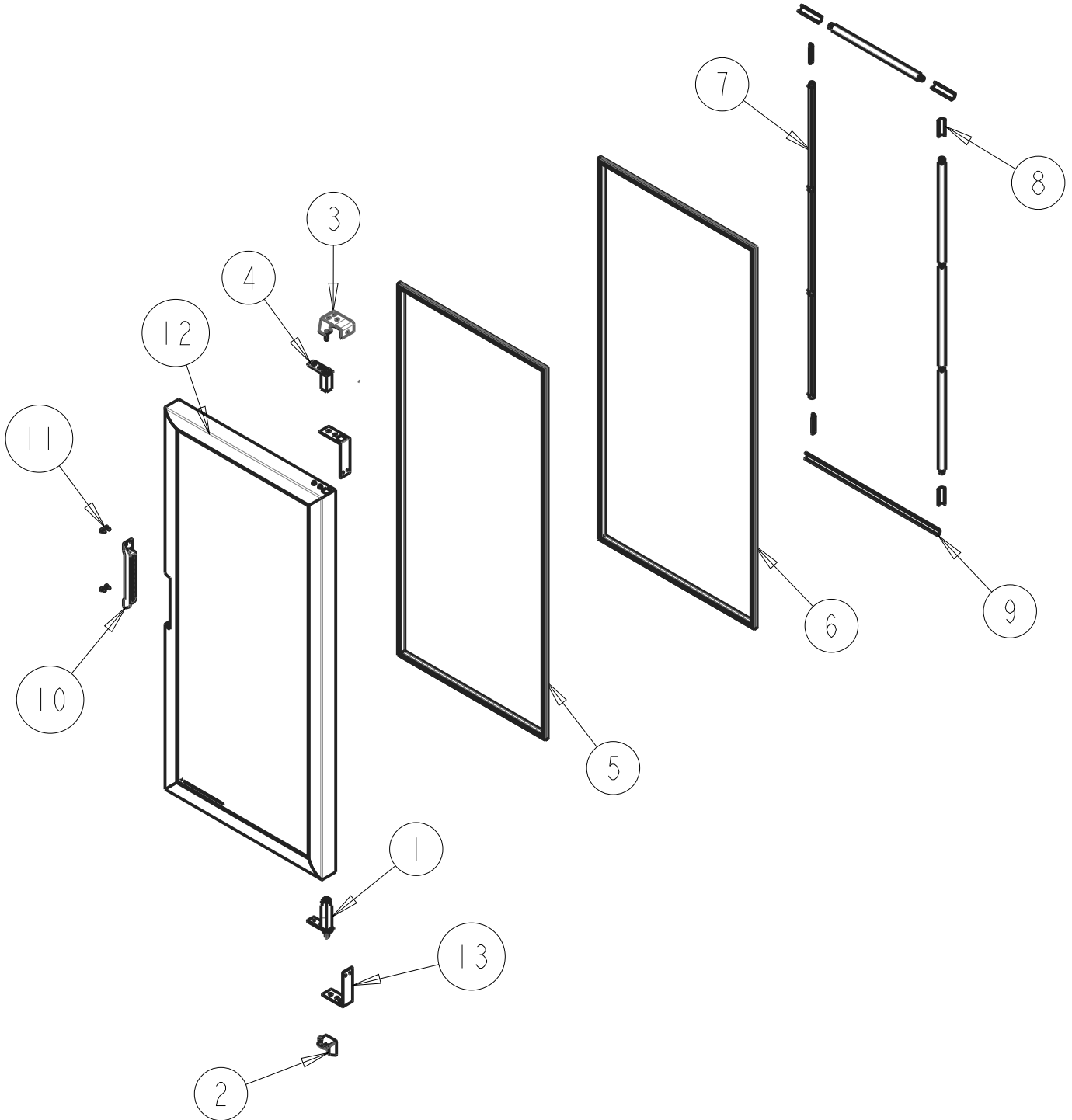
Included Models

ENF VFS12 C BMAD R2 UL EC LED EXP RES FS

1021817

| Item | Internal Code | Spare Part Code | Description             |
|------|---------------|-----------------|-------------------------|
| 1    | 2074865       | 2094667         | HEAT EXCHANGER          |
| 2    | 2048906       | 2077718         | COMPRESSOR BASE         |
| 3    | 3056028       | 2073993         | COMPRESSOR              |
| 4    | 2043293       | 2065074         | CONDENSER               |
| 5    | 2003751       | 2045838         | SUPPORT CONDENSATE TRAY |
| 6    | 3000813       | 2065071         | CONDENSATE PAN          |
| 7    | 2014639       | 2063514         | CHARGE PIPE             |
| 8    | 3023792       | 2065067         | COND FAN MOTOR          |
| 9    | 3041448       | 2055733         | MOTOR STAND             |
| 10   | 3027277       | 2016551         | COND MOTOR SUPPORT      |
| 11   | 3023793       | 2017317         | COND FAN BLADE          |
| 12   | 3000807       | 2077326         | PIPE INSULATION         |
| 13   | 2070176       | 2094682         | DISCHARGE PIPE          |
| 14   | 3043930       | 2065116         | FILTER DRIER            |
| 15   | 2044934       | 2094681         | CHARGE PIPE             |

**REV.00**
**Condenser Unit**
**Included Models**
**ENF VFS12 C BMAD R2 UL EC LED EXP RES FS**
**1021817**



REV.00

Door

Included Models

ENF VFS12 C BMAD R2 UL EC LED EXP RES FS

1021817



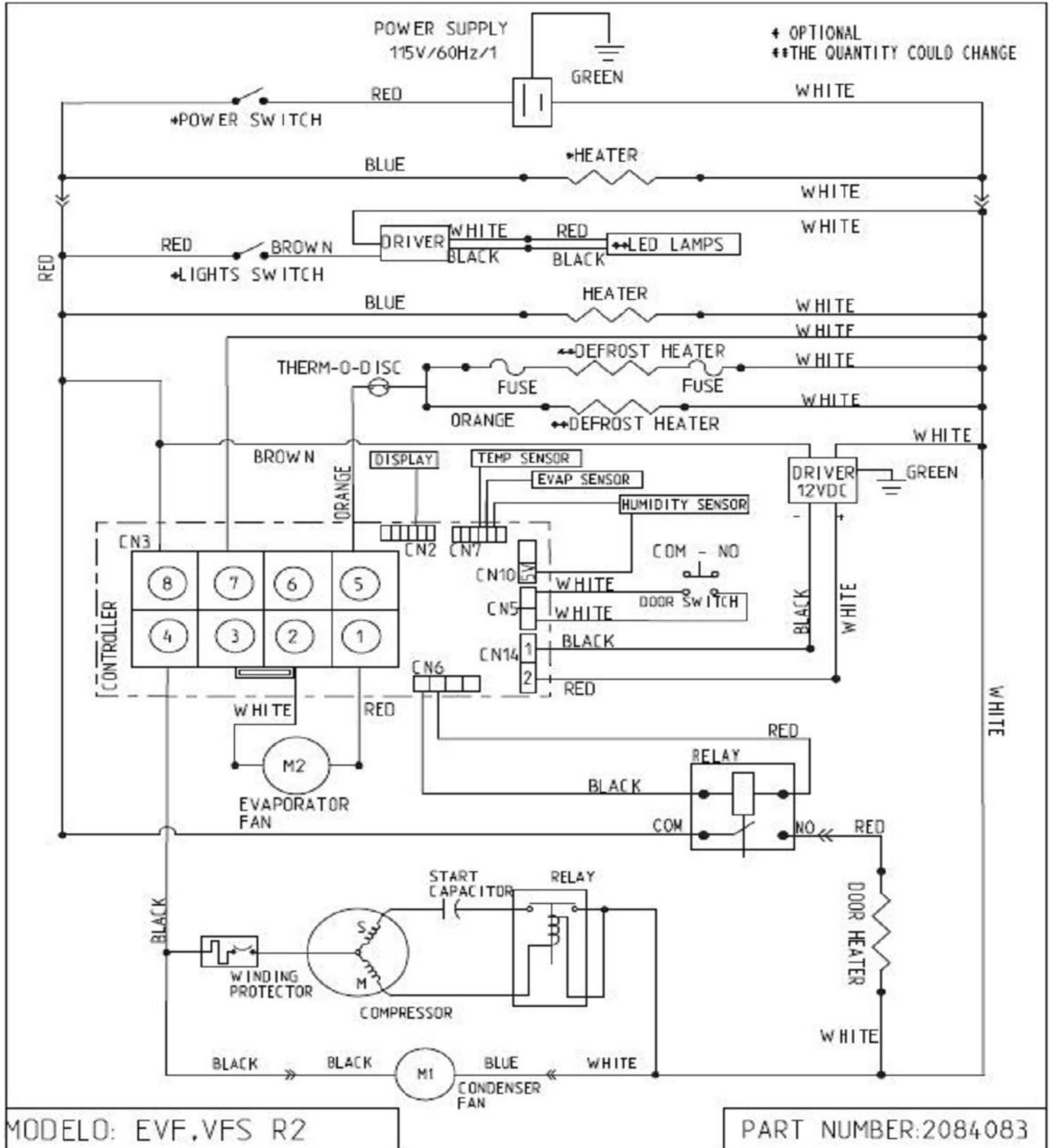
| Item | Internal Code | Spare Part Code | Description                  |
|------|---------------|-----------------|------------------------------|
| 1    | 3066160       | 2094656         | SELF CLOSING                 |
| 2    | 3065939       | 2094657         | BOTTOM HINGE                 |
| 3    | 3066157       | 2094658         | TOP HINGE                    |
| 4    | 3035612       | 2094659         | DOOR BUSHING                 |
| 5    | 3060083       | 2095664         | GASKET 0.597X1.295M          |
| 6    | 3060599       | 2094665         | GASKET 0.625X1.324M          |
| 7    | 3051065       | 2065047         | LED MODULE                   |
| 8    | 2053571       | 2087121         | MOULDING GLASS FIXER COVER   |
| 9    | 2020315       | 2077720         | MOULDING GLASS FIXER COVER   |
| 10   | 2018749       | 2076375         | PLASTIC DOOR HANDLE          |
| 11   | 3027788       | 2071072         | REMOVABLE RIVET              |
| 12   | 2090989       | 2094674         | GLASS DOOR                   |
| 13   | 3039720       | 2078626         | REINFORCEMENT                |
| *    | 3051220       | 2075742         | F-M MODULES HARNESS          |
| *    | 3032583       | 2068365         | F-DRIVER DOOR MODULE HARNESS |

REV.00

Door

Included Models      ENF VFS12 C BMAD R2 UL EC LED EXP RES FS

1021817



REV.00

Wiring Diagram

Included Models

ENF VFS12 C BMAD R2 UL EC LED EXP RES FS

1021817