

**General Assembly**  
**Included Models**

VFS24 C BMAD R2 UL EC LED EXP RES FS

1020890

# Glass Door Merchandisers

Spare parts manual

## VFS24

### General Assembly

Item	Internal Code	Spare Part Code	Description
1	3044137	2055505	ANTI-VACUUM VALVE
2	3029548	2077027	PILASTER
3	2069635	2089494	TUBE COVER
4	2086197	2089506	HIGH IMP MOULDING
5	2000028	2080131	DEFLECTOR MOLDING
6	2038149	2076344	MOLD DEFLECTOR SUPPORT
7	3030429	2076341	MAGNETIC SWITCH
8	3024322	2077330	INTERLOCK, MAG SWITCH
9	3042320	2089510	CLIP
10	3017479	2024708	SWITCH SUPPORT
11	3001457	2076347	SWITCH
12	3044252	2076349	SWITCH SUPPORT
13	2085942	2089496	TEMPERATURE CONTROL
14	3036890	2076370	CONTROL BOX
15	3059250	2089531	LED DRIVER
16	3060203	2089533	RELAY
17	3056240	2089516	CONTROL BOX
18	3001043	2078624	GROMMET
19	3025496	2077048	REMOTE DISPLAY
20	3036808	2084846	DLPAY SUPPORT
21	3024275	2077061	DPLAY BASE

Models with the same refrigeration system and operation condition are included in this manual  
 Drawings are an approximate representation of the reality  
 All accessories (shelves, clips, etc) are considerate from base product, extra items are not included

# Glass Door Merchandisers

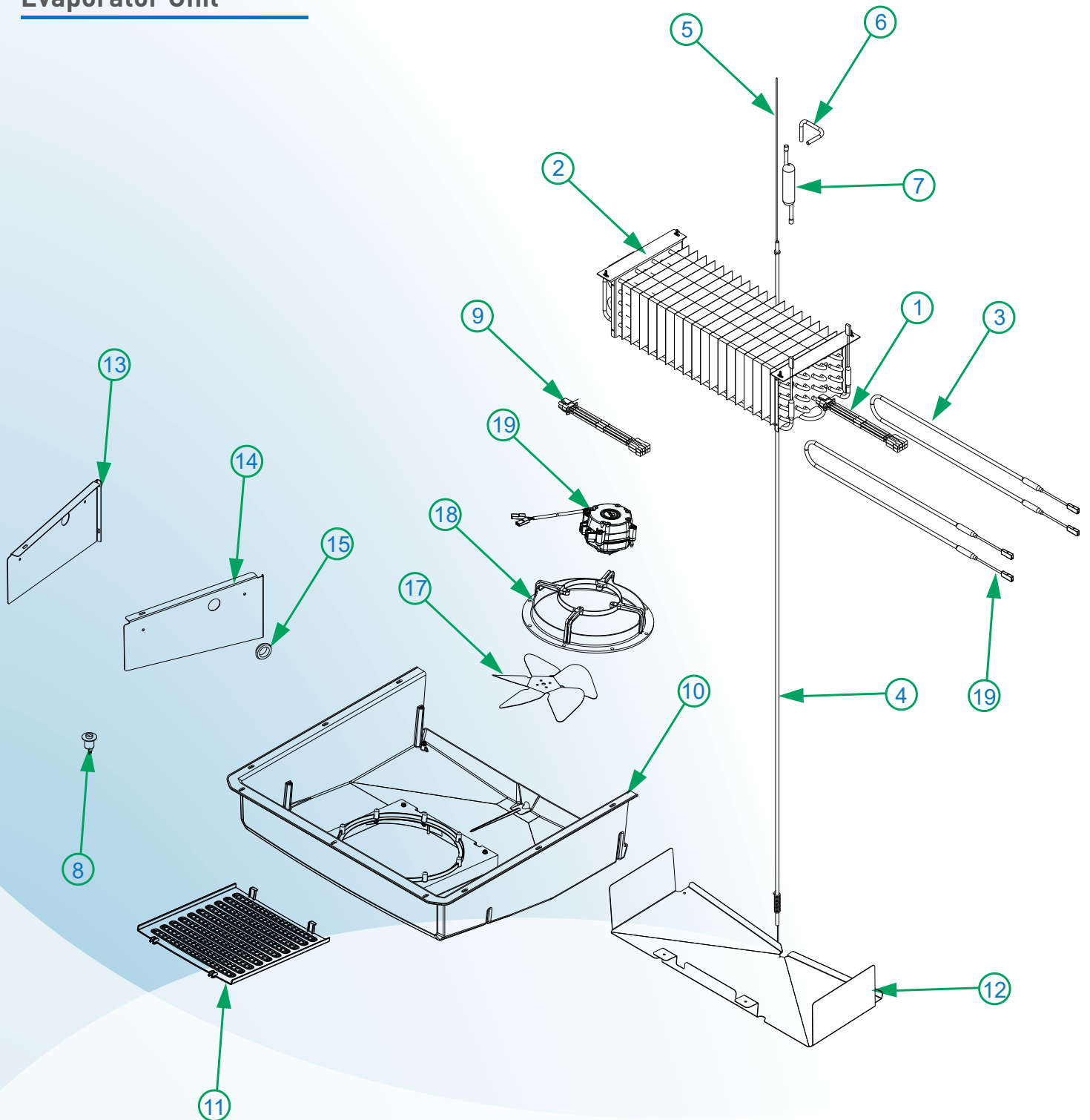
Spare parts manual

**VFS24**

## General Assembly

Item	Internal Code	Spare Part Code	Description
22	3018077	2077060	PANEL COVER
23	3051608	2089515	DPLAY LABEL
24	3052103	2076368	DRIVER 24W
25	3057414	2089523	POWER CORD
26	3001610	2017163	BACK GRILL
27	3058098	2091219	SHELF
28	3041575	2065157	CLIP F/PILASTER
29	3058099	2091218	BOTTOM SHELF
30	3058273	2085855	DRAWER SHELF
31	3057381	2089521	GRILL PRODUCT SEPARATOR
32	3017492	2065185	THERMOMETER
33	3001490	2076878	WALL SPACER
34	2067447	2077041	FRONT GRILL
35	3041425	2076124	FRONT GRILL SUPPORT
36	3050294	2077053	LEVELING LEG
*	3046926	2089513	HARNESS
*	3057556	2089524	COMPRESSOR HARNESS
*	3057574	2089529	MAIN HARNESS
*	3063708	2089546	HARNESS
*	3063226	2089544	HARNESS

### Evaporator Unit



# Glass Door Merchandisers

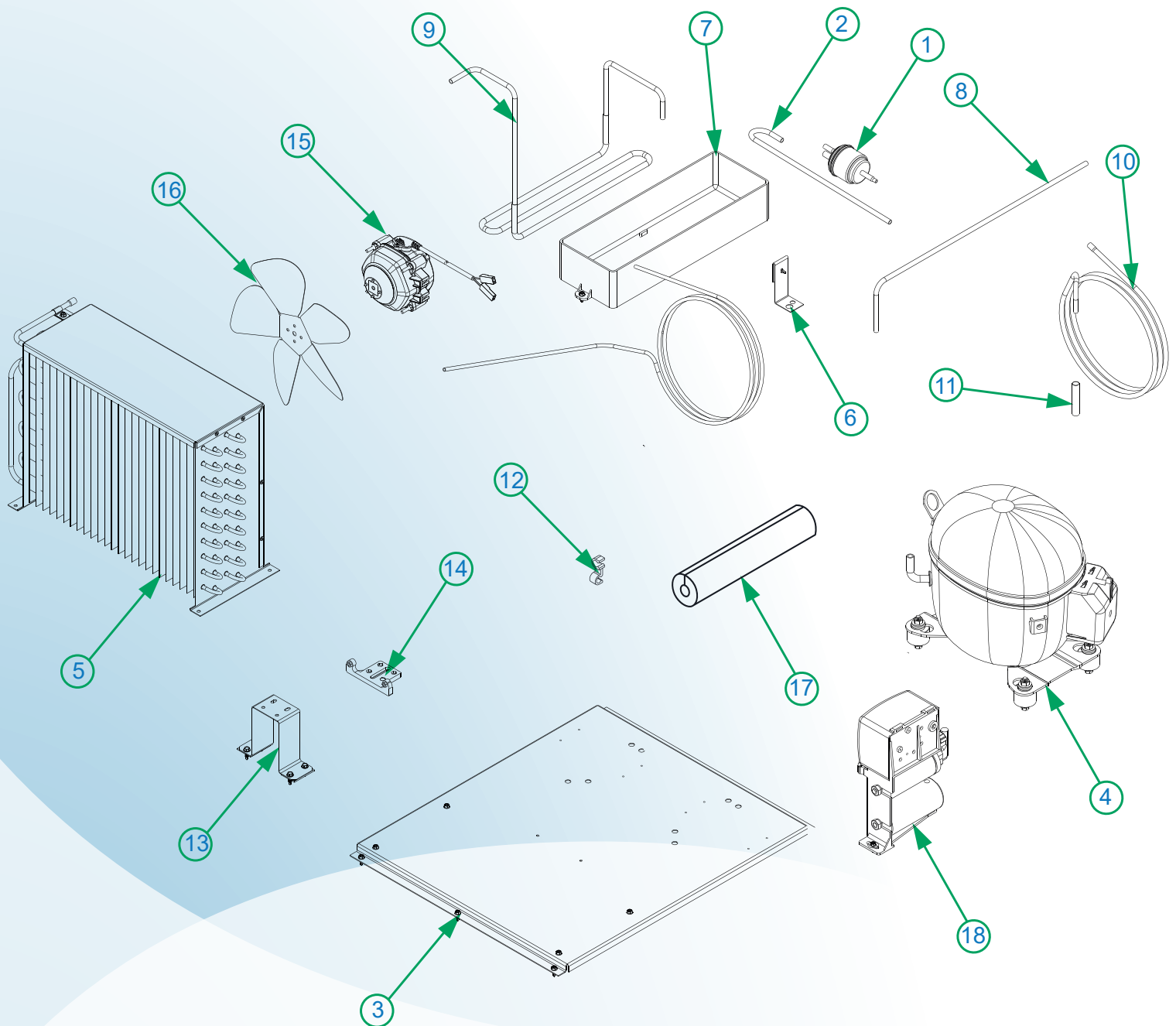
Spare parts manual

## VFS24

### Evaporator Unit

Item	Internal Code	Spare Part Code	Description
1	3057557	2089526	HARNESS
2	3057355	2089517	EVAPORATOR
3	3061662	2089540	EVAP HEATER
4	2069541	2089490	RETURN PIPE
5	3036746	2087781	CAPILLARY TUBE, 0.031"X150"
6	2069543	2089491	RETURN PIPE
7	3051851	2065308	ACUMMULATOR
8	3048713	2078824	BIMETAL DISC
9	3057564	2089528	HARNESS
10	2069545	2089492	EVAP HOUSING
11	2044821	2068676	FAN BLADE GRILL
12	3057356	2089519	EVAP DRAIN PAN
13	3061608	2089534	LEFT AIR DEVIATOR
14	3061627	2089539	RIGHT AIR DEVIATOR
15	3001043	2078624	GROMMET
16	3062410	2089542	DRAIN HEATER
17	3037464	2065102	EVAP FAN BLADE
18	3023907	2021792	MOTOR EVAP SUPPORT
19	3023792	2022630	EVAP FAN MOTOR

### Condenser Unit



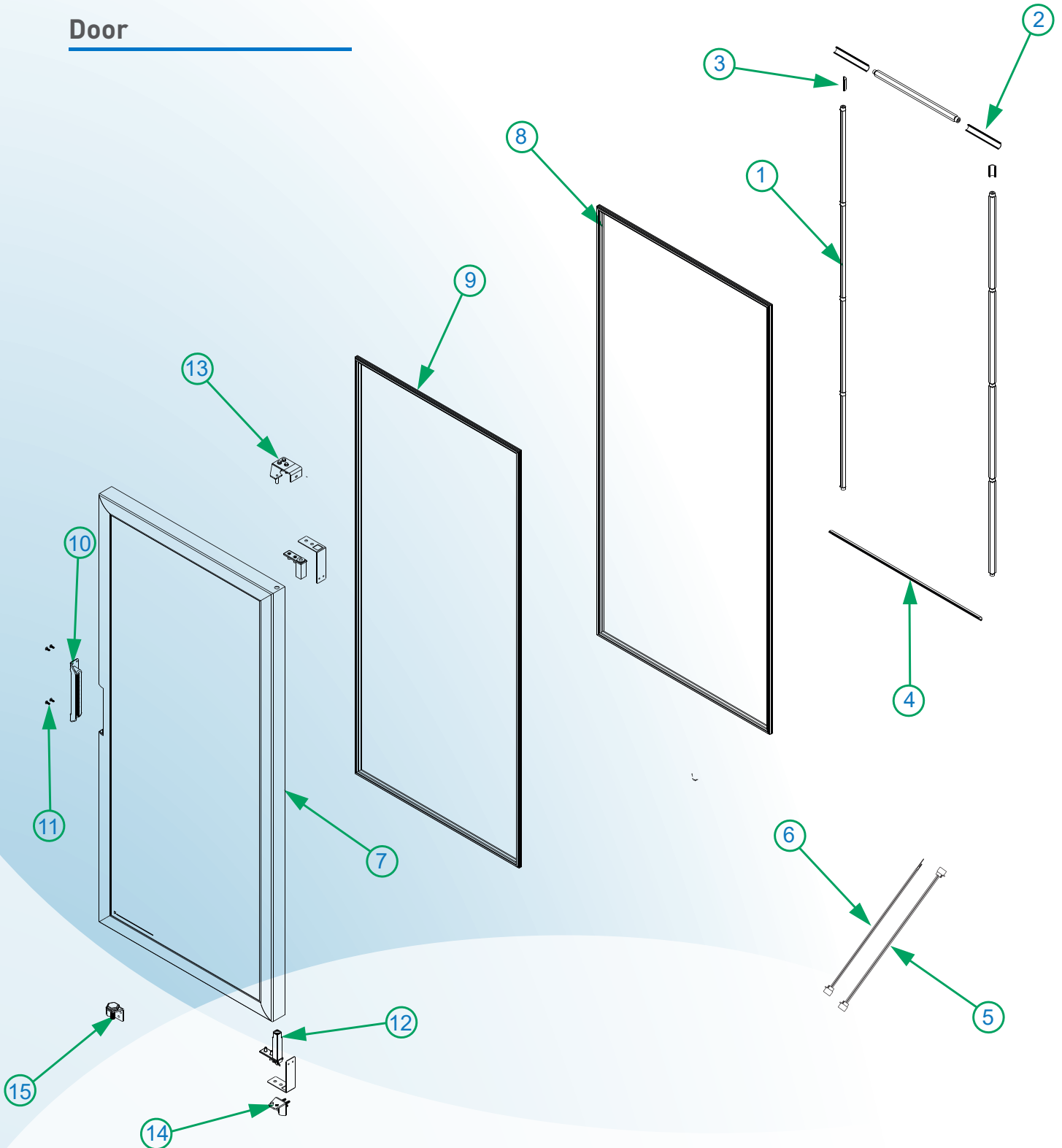
### Condenser Unit

Item	Internal Code	Spare Part Code	Description
1	3043930	2065116	FILTER DRIER
2	2030264	2076400	VACCUM PIPE
3	2029231	2077036	COMPRESSOR BASE
4	3046805	2089511	COMPRESSOR
5	3057357	2089520	CONDENSER
6	2003751	2045838	COND PAN SUPPORT
7	3000814	2065072	CONDENSATE PAN
8	2035821	2077039	CHARGE PIPE
9	2058026	2089488	DISCHARGE PIPE
10	2069547	2089493	SUCTION LINE
11	3002081	2089507	PIPE
12	3037478	2083587	PIPE SUPPORT
13	3033267	2077074	MOTOR STAND
14	3027277	2016551	MOTOR COND SUPPORT
15	3023792	2022630	COND FAN MOTOR
16	3023793	2017317	COND FAN BLADE
17	3000807	2077326	PIPE INSULATION
18	3065388	2089838	ACC COMPRESSOR KIT



### Door

---





# Glass Door Merchandisers

Spare parts manual

## VFS24

### Door

Item	Internal Code	Spare Part Code	Description
1	3051065	2065047	LED MODULE
2	2079062	2082177	MOULDING GLASS FIXER COVER
3	2066968	2089489	MOULDING GLASS FIXER COVER
4	2054439	2089487	MOULDING GLASS FIXER COVER
5	3051220	2075742	F-M MODULE HARNESS
6	3051218	2068364	F-DRIVER MODULE HARNESS
7	2083420	2089495	GLASS DOOR
8	3042507	2055230	GASKET
9	3042510	2045861	GASKET
10	2018749	2076375	PLASTIC DOOR HANDLE
11	3027788	2081335	REMOVABLE RIVET
12	3039532	2036288	SELF CLOSING
13	3053035	2075882	TOP HINGE
14	3052961	2076369	BOTTOM HINGE
15	3053036	2077055	DOOR SUPPORT

### Wiring Diagram

