

REV.00

General Assembly

Included Models

ENF VR04 C PA R2 UL LED EXP SL

1018251

Item	Internal Code	Spare Part Code	Description
1	3013392	2065326	TEMPERATURE CONTROL
2	3033442	2027774	CONTROL BOX
3	3017428	2065076	CONTROL KNOB
4	3028499	2076348	TEMPERATURE SENSOR
5	3022239	2065163	POWER CORD
6	3001457	2065052	SWITCH
7	3030976	2024697	LED DRIVER
8	3041083	2086231	GROMMET
9	3025638	2078388	BUSHING
10	3050276	2087013	BACK GRILL
11	3001043	2078624	GROMMET
12	3030455	2027767	SHELF
13	3041575	2065346	CLIP F/PILASTER
14	3033616	2087014	PILASTER
15	3017492	2016589	THERMOMETER
16	3001716	2065136	LEVELING LEG
17	2056473	2099979	FRONT GRILL
*	3033558	2027777	MAIN HARNESS
*	3017532	2063499	MOTOR GROUND HARNESS
*	3049283	2075588	COMPRESSOR HARNESS

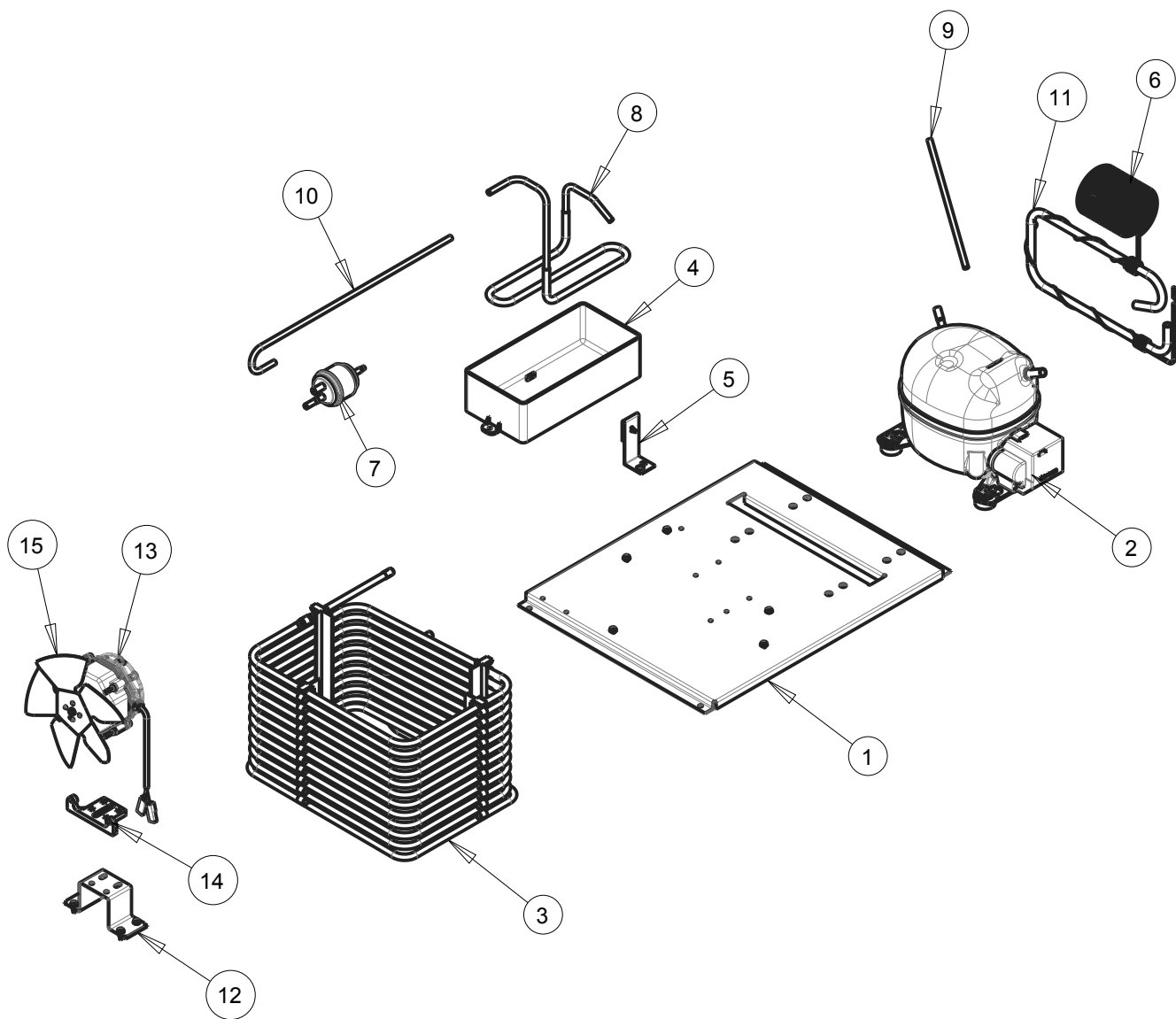
REV.00

General Assembly

Included Models

ENF VRO4 C PA R2 UL LED EXP SL

1018251



REV.00

Condenser Unit

Included Models

ENF VR04 C PA R2 UL LED EXP SL

1018251

Item	Internal Code	Spare Part Code	Description
1	2013613	2087002	COMPRESSOR BASE
2	3046599	2065310	COMPRESSOR
3	2054842	2087004	CONDENSER
4	3000813	2035825	CONDENSATE PAN
5	2003751	2045838	COND PAN SUPPORT
6	3001736	2027771	CAPILLARY TUBE, 0.031" X150"
7	3043930	2065116	FILTER DRIER
8	2053138	2075581	DISCHARGE PIPE
9	2014639	2063514	CHARGE PIPE
10	2025731	2075593	VACCUM PIPE
11	2000958	2087005	SUCTION LINE
12	3050131	2087006	MOTOR STAND
13	3030464	2065107	COND FAN MOTOR
14	3027277	2016551	MOTOR EVAP SUPPORT
15	3025895	2065111	COND FAN BLADE
16	3000807	2077326	PIPE INSULATION

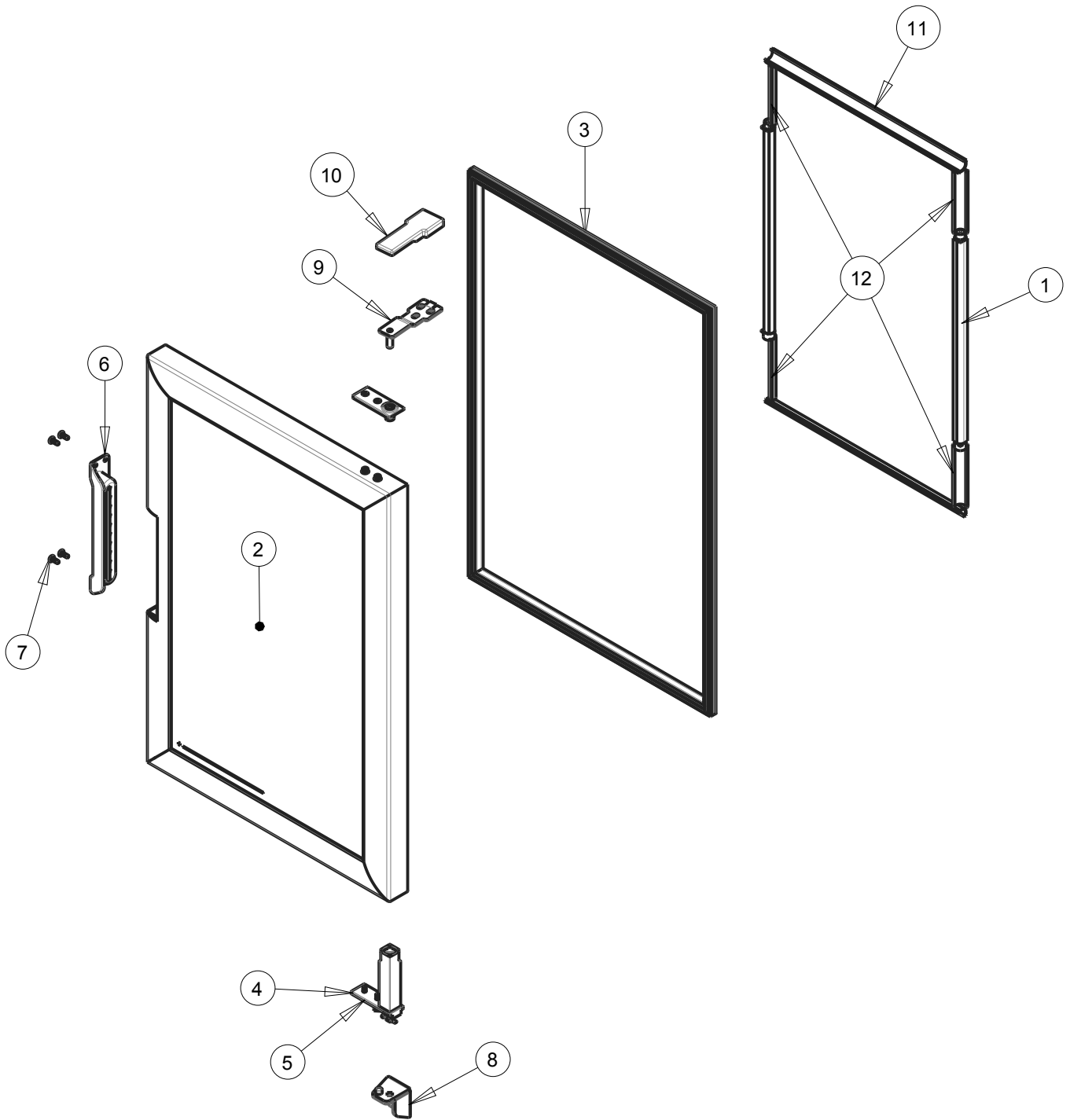
REV.00

Condenser Unit

Included Models

ENF VRO4 C PA R2 UL LED EXP SL

1018251



REV.00

Included Models

ENF VR04 C PA R2 UL LED EXP SL

Door

1018251

Item	Internal Code	Spare Part Code	Description
1	3041706	2055502	LED MODULE
2	2018450	2087015	GLASS DOOR RIGHT
3	3042051	2027776	GASKET
4	3043569	2055558	SELF CLOSING
5	3028538	2077415	REINFORCEMENT
6	2018749	2076375	PLASTIC DOOR HANDLE
7	3027788	2081335	REMOVABLE RIVET
8	3029297	2022622	BOTTOM HINGE
9	3023206	2065356	TOP HINGE
10	3023210	2076350	HINGE COVER POSITION
11	2029000	2087016	MOULDING GLASS FIXER COVER
12	2031726	2077038	MOULDING GLASS FIXER COVER
*	3050461	2065127	F-M MODULE HARNESS
*	3045554	2076101	F-DRIVER MODULE HARNESS

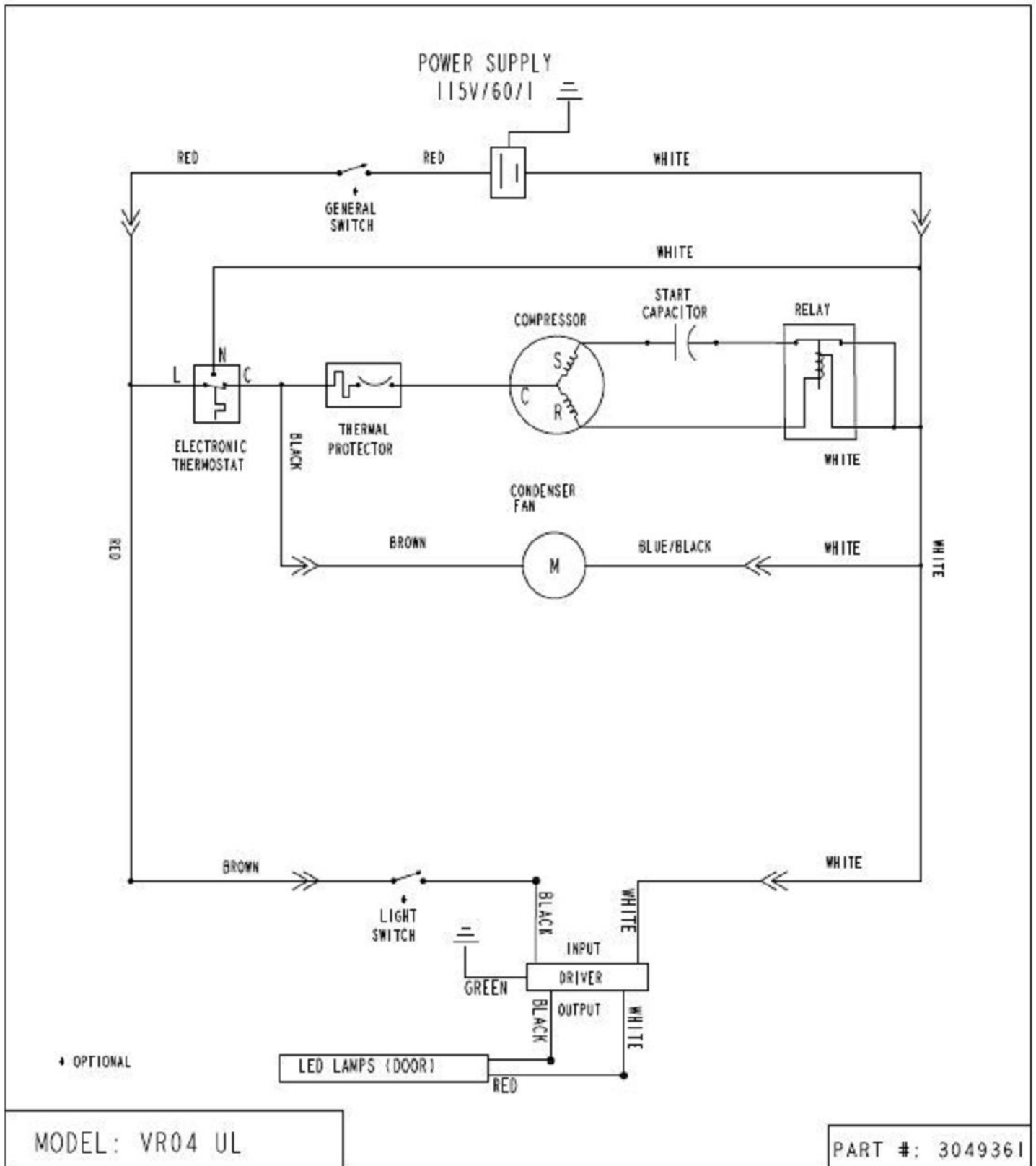
REV.00

Door

Included Models

ENF VRO4 C PA R2 UL LED EXP SL

1018251



REV.00

Wiring Diagram

Included Models

ENF VR04 C PA R2 UL LED EXP SL

1018251