

REV.00

General Assembly

Included Models

ENF VR12 C BMAD R2 UL LED EXP V17 FOODSE

1020195

| Item | Internal Code | Spare Part Code | Description |
|------|---------------|-----------------|------------------------|
| 1 | 3024399 | 2063491 | PILASTER |
| 2 | 3022313 | 2017303 | ANTI-VACUUM MOULDING |
| 3 | 2050944 | 2078061 | WIRE COVER |
| 4 | 2038149 | 2076344 | MOLD DEFLECTOR SUPPORT |
| 5 | 2049202 | 2085681 | DEFLECTOR MOULDING |
| 6 | 3035053 | 2076488 | WIRE COVER |
| 7 | 3044252 | 2076349 | PANEL SUPPORT |
| 8 | 3001457 | 2065052 | SWITCH |
| 9 | 3052756 | 2065364 | TEMPERATURE CONTROL |
| 10 | 3043769 | 2076494 | CONTROL SUPPORT |
| 11 | 3017428 | 2065076 | CONTROL KNOB |
| 12 | 3063878 | 2095425 | POWER CORD |
| 13 | 3001608 | 2017168 | BACK GRILL |
| 14 | 3022973 | 2017169 | SHELF |
| 15 | 3041575 | 2065346 | CLIP F/PILASTER |
| 16 | 3017492 | 2016589 | THERMOMETER |
| 17 | 3001490 | 2076878 | WALL SPACER |
| 18 | 2050666 | 2055500 | FRONT GRILL |
| 19 | 3022238 | 2065360 | LEVELING LEG |
| 20 | 3052103 | 2076368 | DRIVER 24W |
| * | 3051073 | 2063497 | MAIN HARNESS |
| * | 3051966 | 2063498 | HARNESS MOTOR |
| * | 3051070 | 2068095 | LED HARNESS |
| * | 3017532 | 2063499 | MOTOR GROUND HARNESS |
| * | 3051078 | 2063493 | COMPRESSOR HARNESS |

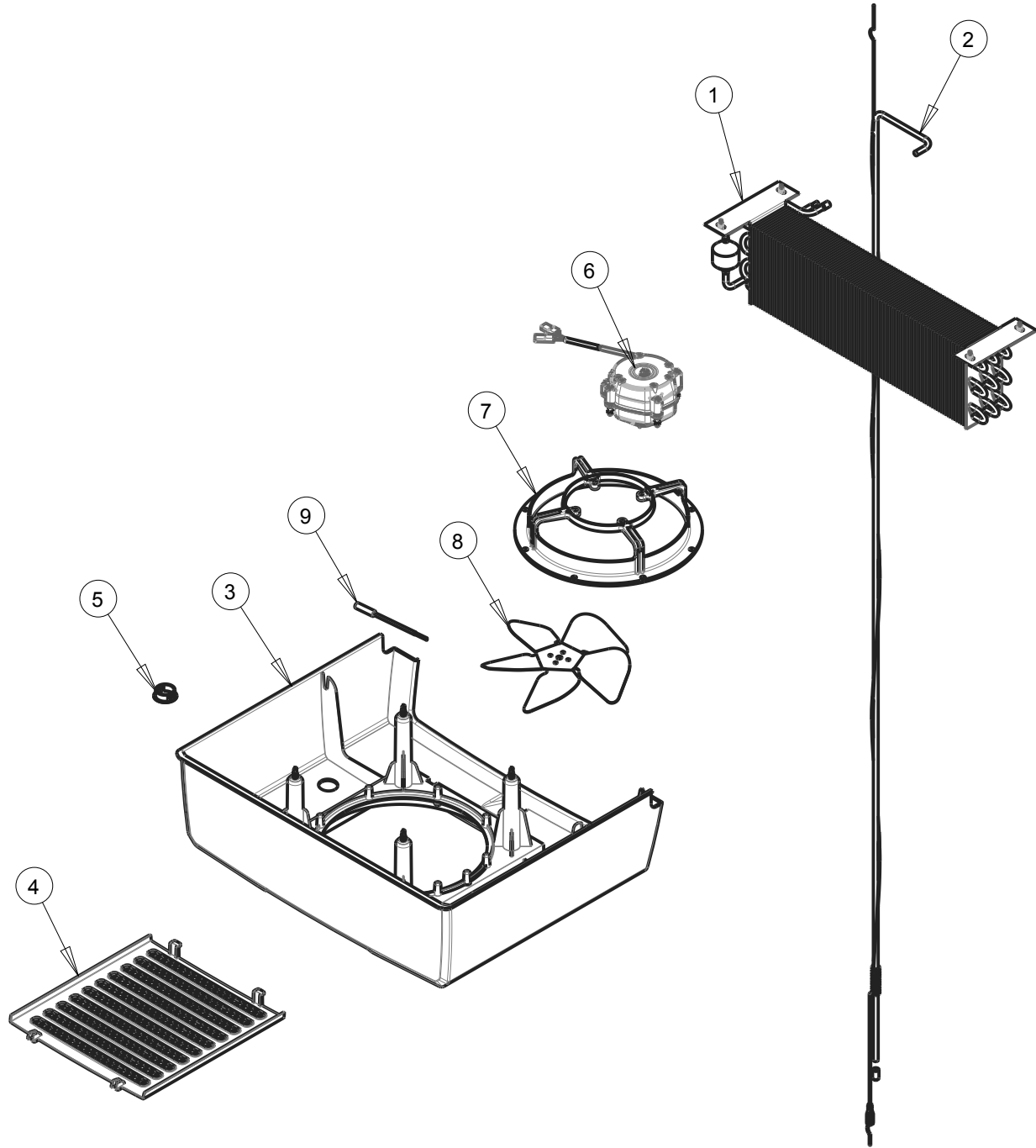
REV.00

General Assembly

Included Models

ENF VR12 C BMAD R2 UL LED EXP V17 FOODSE

1020195



REV.00

Evaporator Unit

Included Models

ENF VR12 C BMAD R2 UL LED EXP V17 FOODSE

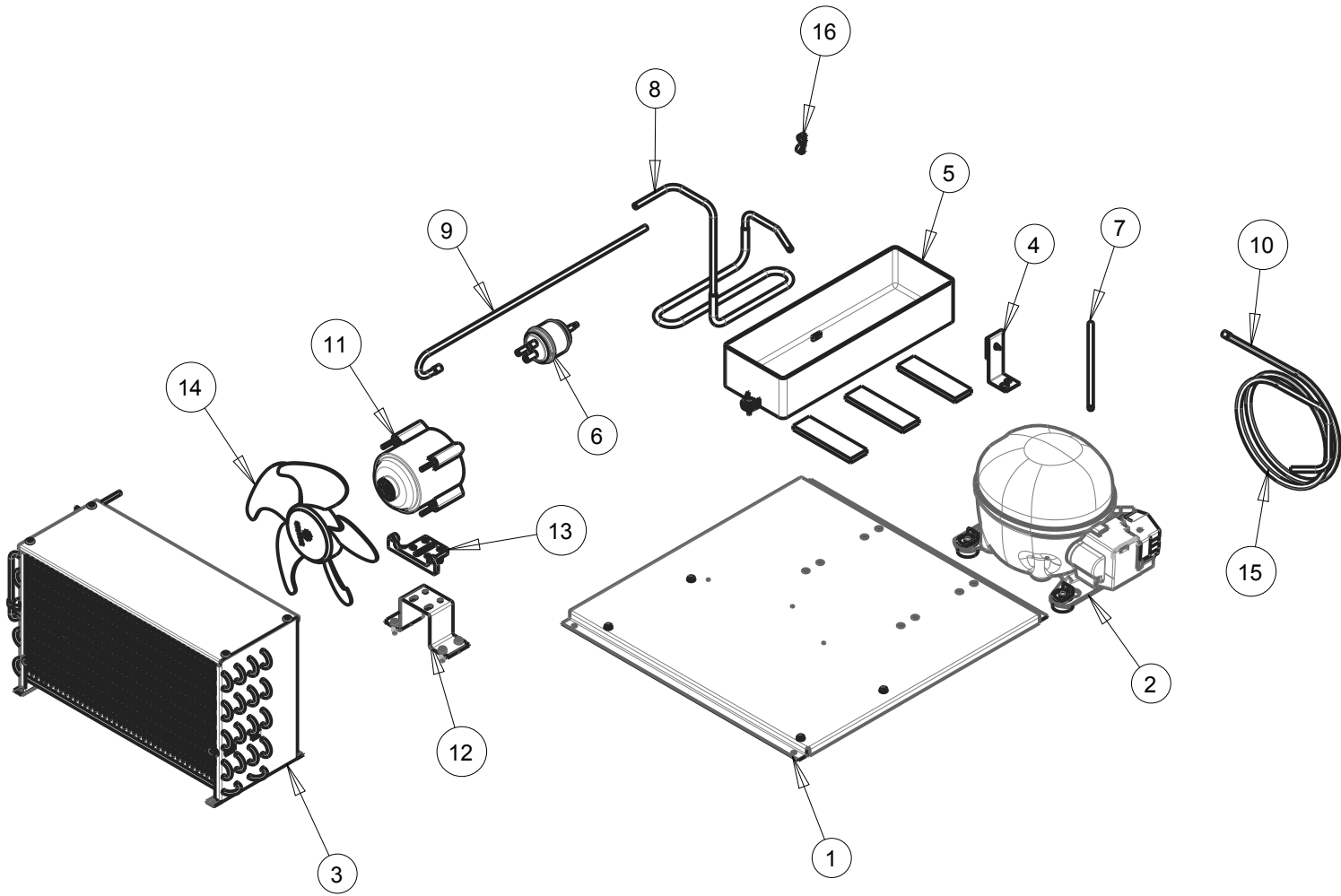
1020195

| Item | Internal Code | Spare Part Code | Description |
|------|---------------|-----------------|--------------------|
| 1 | 3054281 | 2068680 | EVAPORATOR RIGHT |
| 2 | 2070169 | 2086701 | HEAT EXCHANGER |
| 3 | 2064215 | 2068682 | EVAP HOUSING |
| 4 | 2044821 | 2068676 | EVAP HOUSING COVER |
| 5 | 3015563 | 2077081 | STOPPER |
| 6 | 3023792 | 2065067 | EVAP FAN MOTOR |
| 7 | 3023907 | 2021792 | MOTOR EVAP SUPPORT |
| 8 | 3023793 | 2017317 | COND FAN BLADE |
| 9 | 3031133 | 2065184 | TEMPERATURE SENSOR |

REV.00

Evaporator Unit

Included Models ENF VR12 C BMAD R2 UL LED EXP V17 FOODSE 1020195



REV.00

Condenser Unit

Included Models

ENF VR12 C BMAD R2 UL LED EXP V17 FOODSE

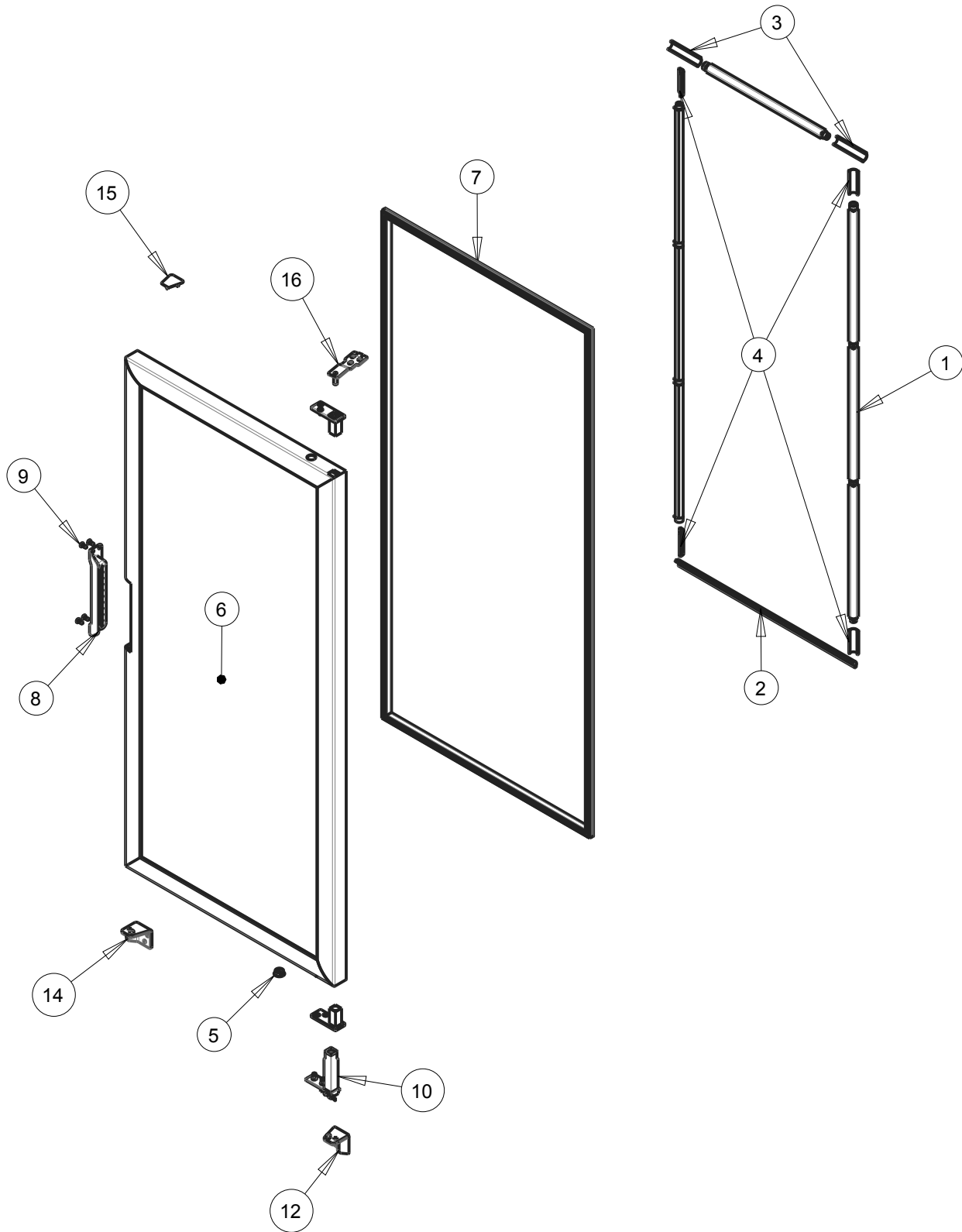
1020195

| Item | Internal Code | Spare Part Code | Description |
|------|---------------|-----------------|--------------------|
| 1 | 2048906 | 2077718 | COMPRESSOR BASE |
| 2 | 3053523 | 2078378 | COMPRESSOR |
| 3 | 2043293 | 2065074 | CONDENSER |
| 4 | 2003751 | 2045838 | COND PAN SUPPORT |
| 5 | 3000814 | 2065072 | CONDENSATE PAN |
| 6 | 3043930 | 2065116 | FILTER DRIER |
| 7 | 2014639 | 2063514 | CHARGE PIPE |
| 8 | 2070170 | 2085661 | DISCHARGE PIPE |
| 9 | 2017610 | 2065166 | VACCUM PIPE |
| 10 | 2088417 | 2090450 | SUCTION LINE |
| 11 | 3023792 | 2065067 | COND FAN MOTOR |
| 12 | 3041448 | 2055733 | MOTOR STAND |
| 13 | 3027277 | 2016551 | MOTOR EVAP SUPPORT |
| 14 | 3023793 | 2017317 | COND FAN BLADE |
| 15 | 3000807 | 2077326 | PIPE INSULATION |
| 16 | 3037478 | 2083587 | PIPE SUPPORT |

REV.00

Condenser Unit

Included Models ENF VR12 C BMAD R2 UL LED EXP V17 FOODSE 1020195



REV.00

Door

Included Models

ENF VR12 C BMAD R2 UL LED EXP V17 FOODSE

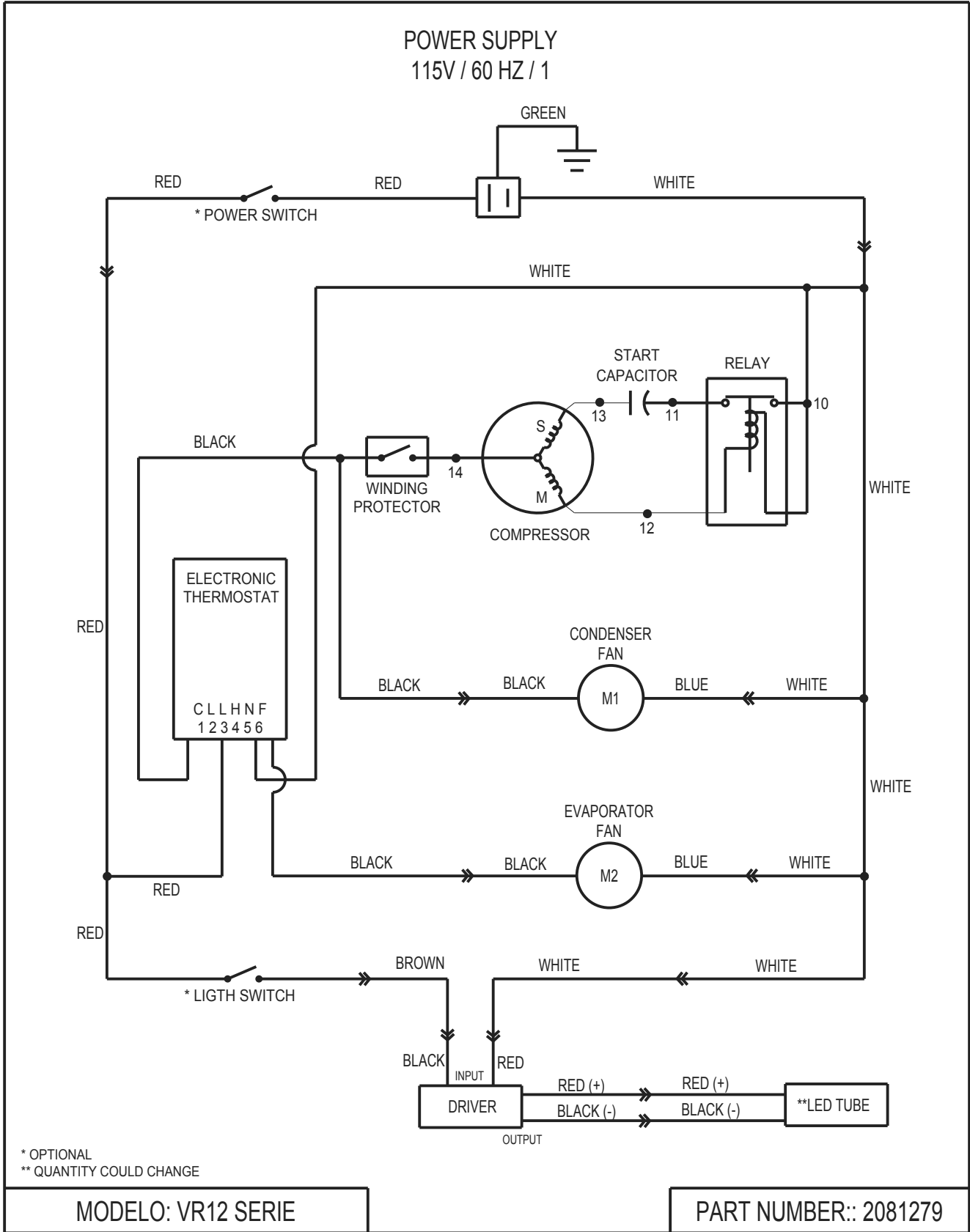
1020195

| Item | Internal Code | Spare Part Code | Description |
|------|---------------|-----------------|----------------------------|
| 1 | 3051065 | 2065047 | LED MODULE |
| 2 | 2010407 | 2085662 | MOULDING GLASS FIXER COVER |
| 3 | 2010397 | 2085663 | MOULDING GLASS FIXER COVER |
| 4 | 2012160 | 2085861 | MOULDING GLASS FIXER COVER |
| 5 | 3023352 | 2077329 | STOPPER |
| 6 | 2028958 | 2041785 | GLASS DOOR |
| 7 | 3027479 | 2073979 | GASKET |
| 8 | 2018749 | 2076375 | PLASTIC DOOR HANDLE |
| 9 | 3027788 | 2081335 | REMOVABLE RIVET |
| 10 | 3038236 | 2022628 | SELF CLOSING |
| 11 | 3028538 | 2077415 | REINFORCEMENT |
| 12 | 3052961 | 2076369 | BOTTOM HINGE |
| 13 | 3043342 | 2076346 | REINFORCEMENT |
| 14 | 3052962 | 2076110 | BOTTOM HINGE |
| 15 | 3023211 | 2065162 | HINGE COVER |
| 16 | 3023206 | 2065356 | TOP HINGE |
| * | 3051220 | 2075742 | F-M MODULE HARNESS |
| * | 3032583 | 2068365 | F-M MODULE HARNESS |

REV.00

Door

Included Models ENF VR12 C BMAD R2 UL LED EXP V17 FOODSE 1020195



REV.00

Wiring Diagram

Included Models

ENF VR12 C BMAD R2 UL LED EXP V17 FOODSE

1020195